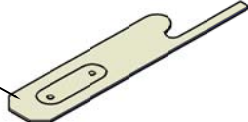
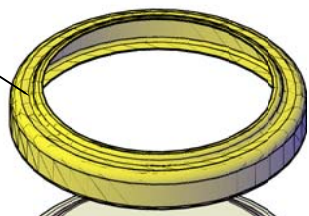


(Scale: 2 : 1)

Cathode tab
(负极焊片)



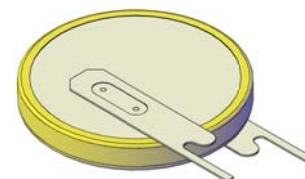
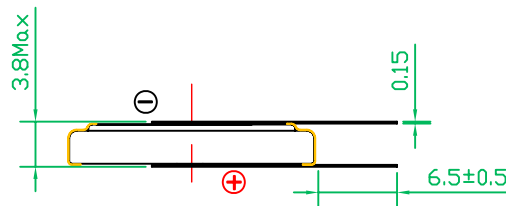
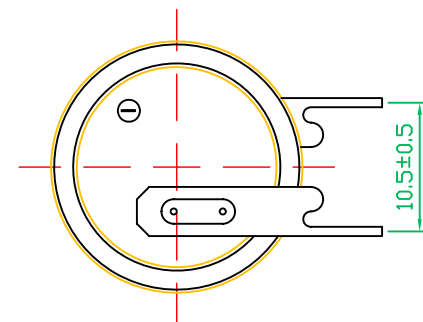
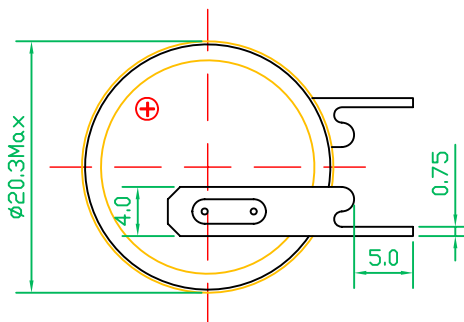
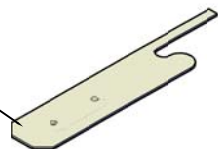
Yellow(黄色)
PVC



Cell(电芯):CR2032
210mAh



Anode tab
(正极焊片)



4	ROHS Compliant / 严格按照ROHS要求生产			Drawn:	Moyongdi	Revise No.:	E4-2009
3	Cathode tab / 负极焊片	Stainless steel plated with nickel / 不锈钢镀镍		Checked 1:	Clare	Projection:	
2	Anode tab / 正极焊片	Stainless steel plated with nickel / 不锈钢镀镍		Checked 2:	Jenny	Page:	1/1
1	Cell / 电芯	Button, Yellow PVC, with date code 扣式, 包黄色PVC, 电芯表面喷码	Title	CR2032-PCN2	Approved:	Scale:	1.5: 1
NO.	Parts	Description	File NO.	A00005	Draw Date:	2010/02/01	Unit: mm