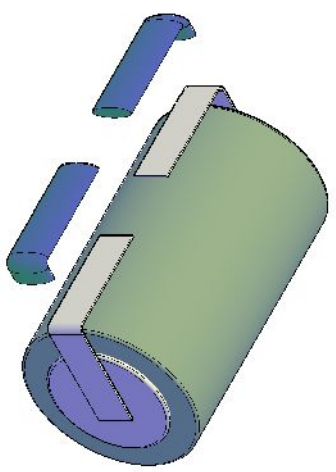
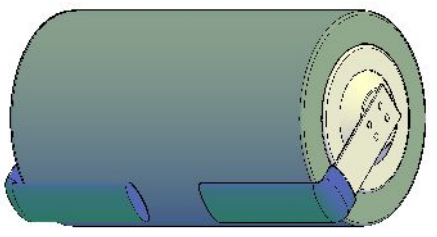


Remark(备注):
 1. Cell(电芯): 3.0V 900mAh.EEMB PVC, with date code(包EEMB品牌PVC, 表面喷码)
 2. +/- Axial pin: Nickel weld first and then axialpin.
 正/负极轴向引线材质: 铜镀镍 (先点镍带再焊引线)
 3. RoHS Compliant
 严格按照ROHS要求生产



 EEMB BATTERY		Drawn:	YanF	Revise No.:	E4-2009
		Group:	Group01	Projection:	
Title	CR14250BL-FT	Approved1:		Page:	1/1
File NO.	A17545	Approved2:		Scale:	2 : 1
		Draw Date:	2019/08/27	Unit:	mm