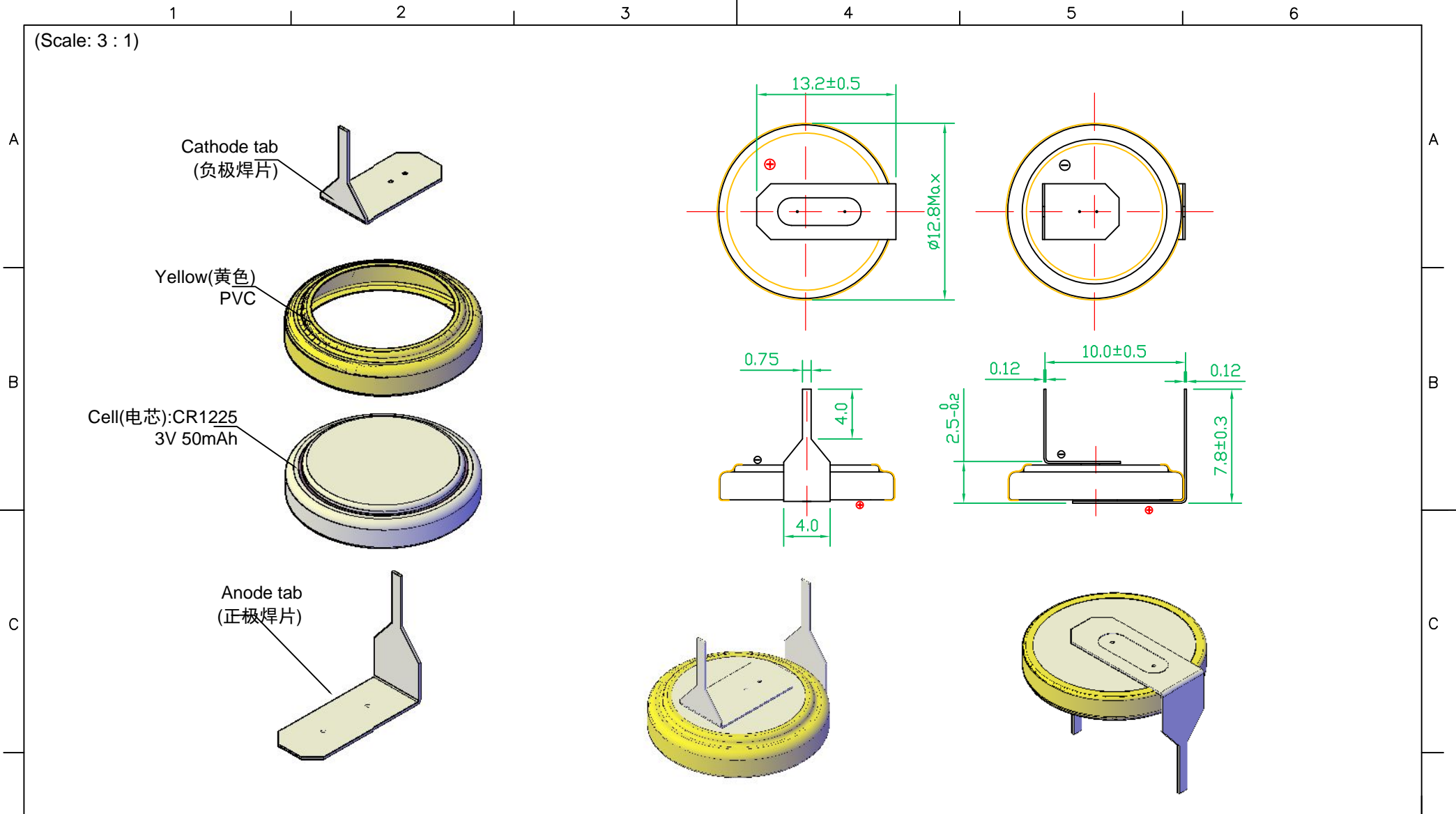


(Scale: 3 : 1)



4	ROHS Compliant / 严格按照ROHS要求生产			Drawn:	YanF	Revise No.:	E4-2009	
3	Cathode tab / 负极焊片	Stainless steel plated with nickel / 不锈钢镀镍		Group:	Group26	Projection:		
2	Anode tab / 正极焊片	Stainless steel plated with nickel / 不锈钢镀镍		Approved1:		Page:	1/1	
1	Cell / 电芯	Button, Yellow yellow PVC, with date code 扣式, 包黄色PVC, 电芯表面喷码		Approved2:		Scale:	2.5: 1	
NO.	Parts	Description	Title	CR1225-VBY2	Draw Date:	2019/09/28	Unit:	mm
			File NO.	A17646				