

D-SUB Series

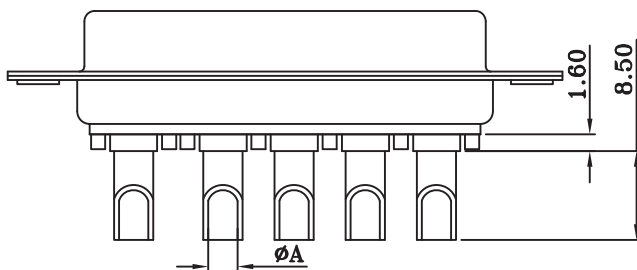
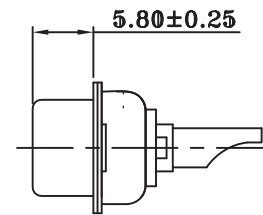
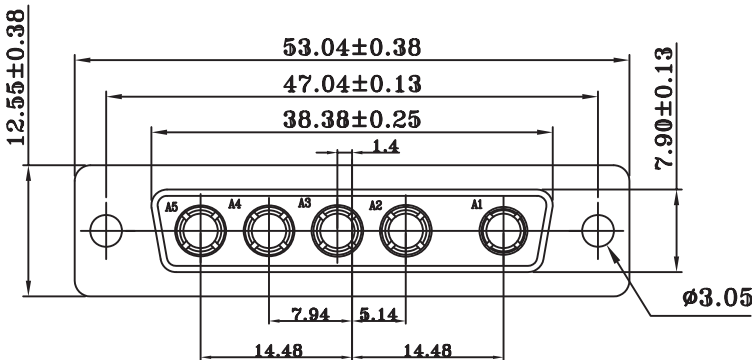
KLS1-BIG-224 D-SUB, COMBO, RECEPTACLE, 40AMP, 5WAY

Materials and Finish

Shell: Steel material, Tin finished
Connector insulator: PBT thermoplastic
High power contact material: Brass 2u" Gold plated

Electrical characteristics

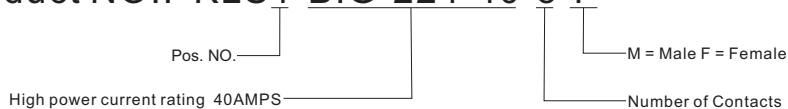
Insulation resistance: 5000 megaohms Min.
High power contact resistance: 2.7 megaohms Min.
High power contact current rating: 10, 20, 30 or 40 AMPS
Dielectric withstanding voltage: 1000 V AC for 1 minute
Temperature rating: -55°C +125°C



Part NO.	Current Raing	Dimension $\varnothing A$
BIG-224-40	40 AMPS	$\varnothing 4.6$
BIG-224-30	30 AMPS	$\varnothing 3.2$
BIG-224-20	20 AMPS	$\varnothing 2.8$
BIG-224-10	10 AMPS	$\varnothing 1.7$

ORDER INFORMATION

Product NO.: KLS1-BIG-224-40-5-F



D-SUB Series

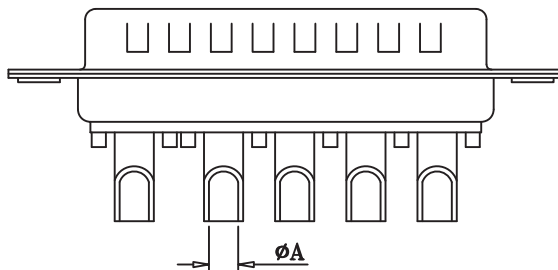
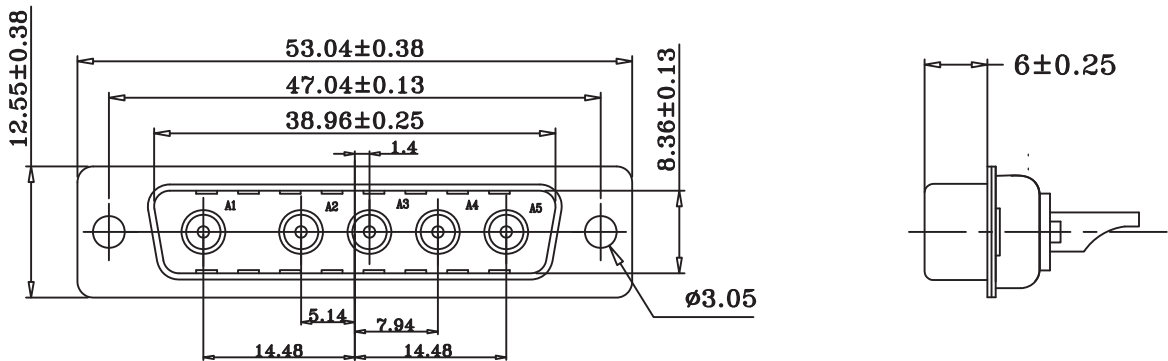
KLS1-BIG-224 D-SUB, COMBO, PLUG, 40AMP, 5WAY

Materials and Finish

Shell: Steel material, Tin finished Dimples on plug only
 Connector insulator: PBT thermoplastic 30% Glass filled,
 UL 94V-0 Rated, black color
 High power contact material: Brass 15u" Gold plated

Electrical characteristics

Insulation resistance: 5000 megaohms Min.
 High power contact resistance: 2.7 megaohms Min.
 High power contact current rating: 10, 20, 30 or 40 AMPS
 Dielectric withstanding voltage: 1000 V AC for 1 minute
 Temperature rating: -55°C +125°C



Part NO.	Current Raing	Dimension $\varnothing A$
BIG-224-40	40 AMPS	$\varnothing 4.6$
BIG-224-30	30 AMPS	$\varnothing 3.3$
BIG-224-20	20 AMPS	$\varnothing 2.8$
BIG-224-10	10 AMPS	$\varnothing 1.7$

ORDER INFORMATION

Product NO.: KLS1-BIG-224-40-5-M

