

Rubber grommet, BDE type

FEATURES & BENEFITS



popular rubber grommets



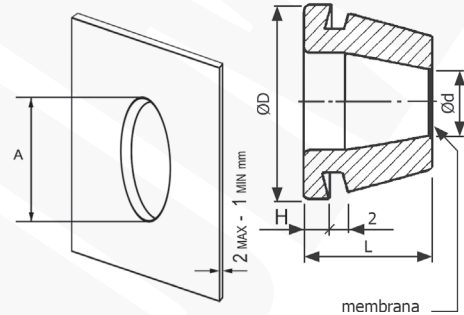
recommended for sheathed cables supplying portable receivers, e.g. welding cables

MECHANICAL DATA

Material	SBR+NR rubber
Halogen-free	yes
Operating temperature [°C]	-30 ÷ +85

CERTIFICATES & STANDARDS

IP rating	IP30 minimum
-----------	--------------



Type	Index Ergom	A	D	d	H	L	Colour	Cable external diameter [mm]	Quantity in package [pcs]
BDE 11 (100 PCS)	E03DK-05010100101	16,5	24	7,0	4	30	black	6 ÷ 8	100
BDE 13 (100 PCS)	E03DK-05010100301	21	31	8,0	6	23	black	9÷12	100
BDE 16 (100 PCS)	E03DK-05010100501	23	34	10,5	6	23	black	11÷15	100
BDE 21 (100 PCS)	E03DK-05010100701	29	42	13,5	6	25	black	14÷18	100
BDE 29 (50 PCS)	E03DK-05010100901	38	50	17,0	7	30	black	18÷25	50
BDE 36 (20 PCS)	E03DK-05010101101	48	62	22,0	8	34	black	24÷34	20
BDE 42 (10 PCS)	E03DK-05010101301	55	63	31,0	8	39	black	31÷44	10
BDE 48 (10 PCS)	E03DK-05010101501	65	72	41,0	8	45	black	40÷54	10
BDE 54 (10 PCS)	E03DK-05010101701	78	85	51,0	8	50	black	52÷66	10
BDE 67 (10 PCS)	E03DK-05010101901	90	97	63,0	8	63	black	65÷78	10
BDE 11WT (100 PCS)	E03DK-05010100201	16,5	24	7,0	4	30	white	6 ÷ 8	100
BDE 13WT (100 PCS)	E03DK-05010100401	21	31	8,0	6	23	white	9÷12	100
BDE 16WT (100 PCS)	E03DK-05010100601	23	34	10,5	6	23	white	11÷15	100
BDE 36 WT (20 PCS)	E03DK-05010101201	48	62	22,0	8	34	white	24÷34	20
BDE 54 WT (10 PCS)	E03DK-05010101801	78	85	51,0	8	50	white	52÷66	10

