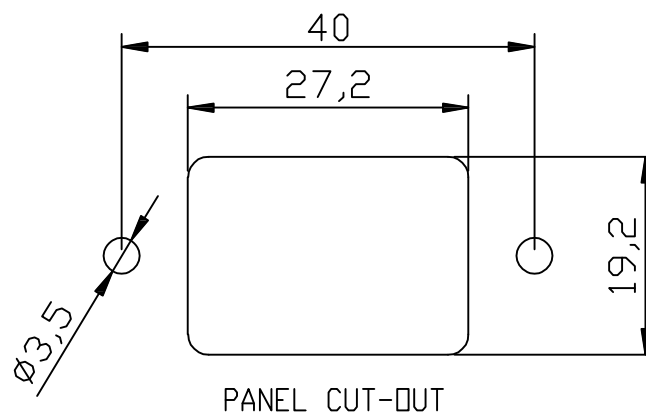
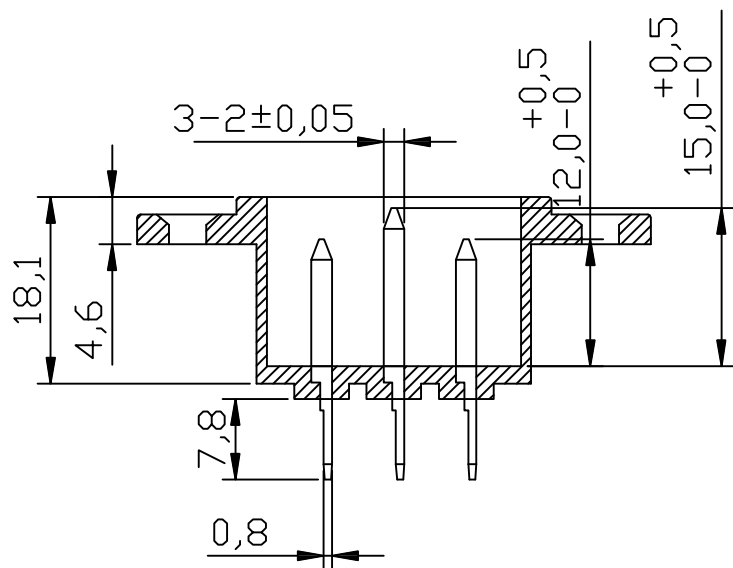
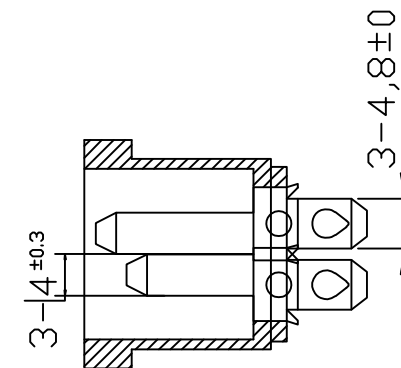
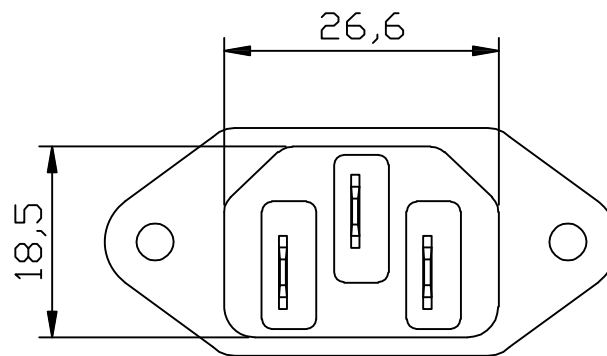
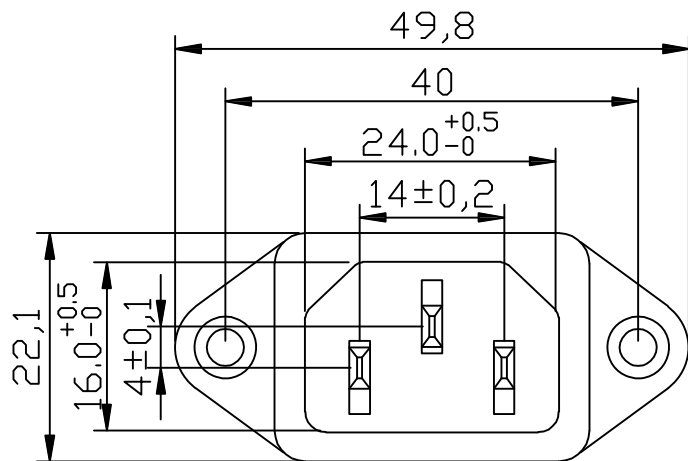


RoHS Compliance



Electrical Characteristics:  
 Rating Voltage: 250V 10A  
 Insert And Extract Force: 1.36kgf ~ 6.8kgf  
 Terminal Strength:  $\geq 80N$   
 Operating Life:  $\geq 5000$  cycles  
 Withstand Voltage:  
 Between all terminals: 2000VAC(50-60Hz)1min  
 terminals to base: 3750V AC (50-60Hz)1min  
 Leakage Current: 1mA  
 Insulation Resistance:  $\geq 100M\Omega$  500V DC

ANGLE TOLERANCE	PROJECTION	Description:	
$\pm 3^\circ$		AC Power Sockets	
GENERAL TOLERANCE	UNITS	mm	KLS P/N:
x.x $\pm 0.30$	SHEET SIZE	A4	L-KLS1-AS-301
x.xx $\pm 0.20$	Draw:	Daniel	2018-07-10
x.xxx $\pm 0.10$	Check:	Daniel	2018-07-10



NingBo KLS ELECTRONIC CO.,LTD.