

271±0.5(Overall of Sensor)

253±0.3(View Area)

249±0.3(Active Area)

205±0.5(Overall of Sensor)

191±0.3(View Area)

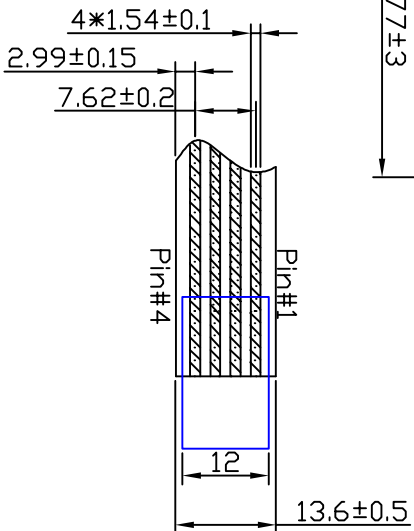
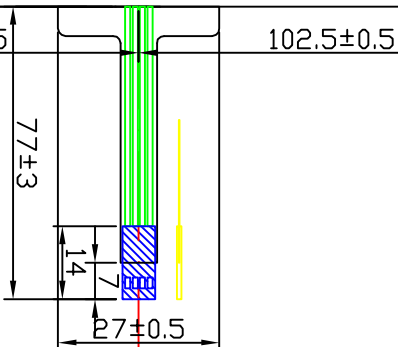
187±0.3(Active Area)

X left

Y up

X right

Y down



NOTE:
ALL DIMENSIONS ARE IN MILLIMETERS

P/N	Film Type	Glass Thickness	Finished Part Thickness
4W-1210-G	Clear	1.8	2.2±0.2
4W-1210-N	Anti-Glare		

Pin#	Assignment
1	Y up
2	X right
3	X left
4	Y down

益震科技股份有限公司 Onetouch Technologies Co., Ltd.	
DATE:	2007.2.26
P/N:	4W1210-G
MODEL:	4W1210
DRAWER:	Candy APPROVAL: DAVID