

Features

- Miniature package for design flexibility
- Long operating life
- Conductive plastic element
- Bushing or PC board mount
- Quadrature output
- RoHS compliant*

3315 - 9 mm Square Sealed Incremental Encoder

Electrical Characteristics

| | |
|---------------------------------------|--|
| Output..... | 2-bit quadrature code, Channel A leads Channel B electrically turning clockwise (CW) |
| Closed Circuit Resistance | 5 ohms maximum |
| Contact Rating..... | TTL compatible loads |
| Insulation Resistance (500 VDC) | 1,000 megohms minimum |
| Dielectric Withstanding Voltage | |
| Sea Level | 900 VAC minimum |
| Electrical Travel | Continuous |
| Contact Bounce..... | 5 milliseconds maximum |
| RPM (Operating)..... | 120 maximum |

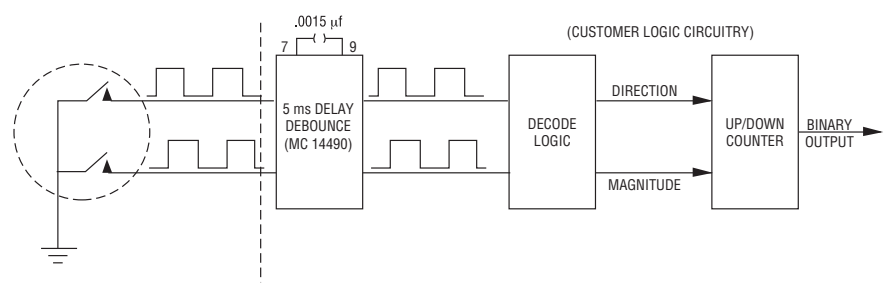
Environmental Characteristics

| | |
|----------------------------------|--|
| Operating Temperature Range..... | -40 °C to +125 °C (-40 °F to +257 °F) |
| Storage Temperature Range..... | -55 °C to +125 °C (-67 °F to +257 °F) |
| Humidity | MIL-STD-202, Method 103B, Condition B |
| Vibration | 30 G |
| Contact Bounce..... | 5.0 millisecond maximum |
| Shock | 100 G |
| Contact Bounce..... | 5.0 millisecond maximum |
| Rotational Life | 100,000 cycles @ 6 PPR 25,000 cycles @ 16 PPR |
| IP Rating..... | IP 67 |

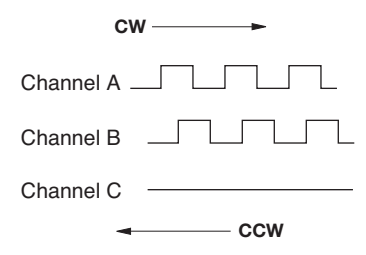
Mechanical Characteristics

| | |
|------------------------|---|
| Mechanical Angle | 360 ° Continuous |
| Running Torque | 3.53 N-cm (5 oz.-in.) maximum |
| Mounting Torque | |
| Plastic Bushing..... | 45.19 N-cm (4.0 lb.-in.) maximum |
| Metal Bushing..... | 79 N-cm (7.0 lb.-in.) maximum |
| Weight | 4.5 gm (0.15 oz.) |
| Terminals | Solderable pins |
| Soldering Condition | |
| Manual Soldering | 96.5Sn/3.0Ag/0.5Cu solid wire or no-clean rosin cored wire; 370 °C (700 °F) max. for 3 seconds |
| Wave Soldering..... | 96.5Sn/3.0Ag/0.5Cu solder with no-clean flux; 260 °C (500 °F) max. for 5 seconds |
| Wash Processes | For recommended wash processes, please refer to http://www.bourns.com/pdfs/sldclen.pdf |
| Marking..... | Manufacturer's trademark, part number, and date code |
| Hardware..... | One lockwasher and one mounting nut are shipped with each encoder, except where noted in the part number. |

Suggested Incremental Control Diagram



Quadrature Output Table



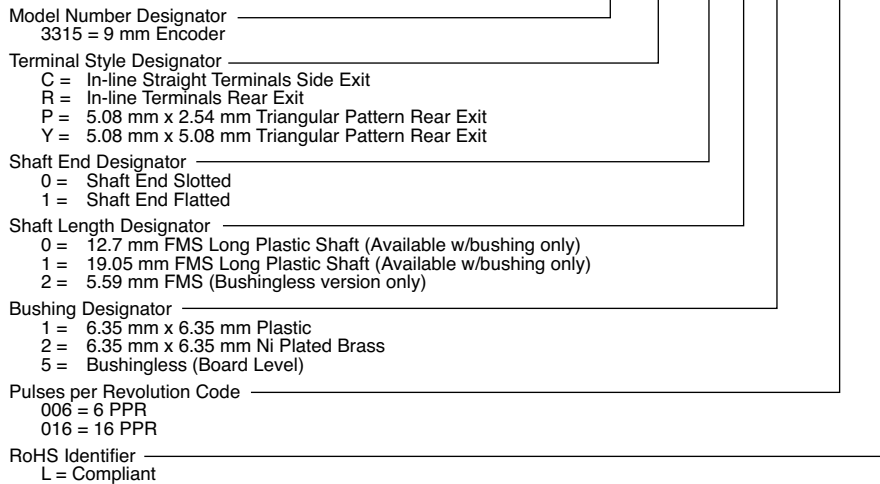
*RoHS Directive 2002/95/EC Jan. 27, 2003 including annex and RoHS Recast 2011/65/EU June 8, 2011.
 Specifications are subject to change without notice.
 Customers should verify actual device performance in their specific applications.

3315 - 9 mm Square Sealed Incremental Encoder

BOURNS®

How to Order

3315 Y - 0 0 1 - 006 L

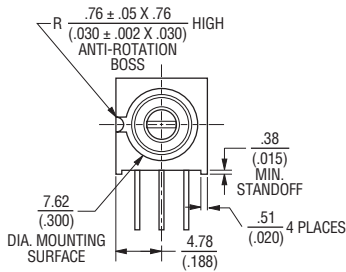
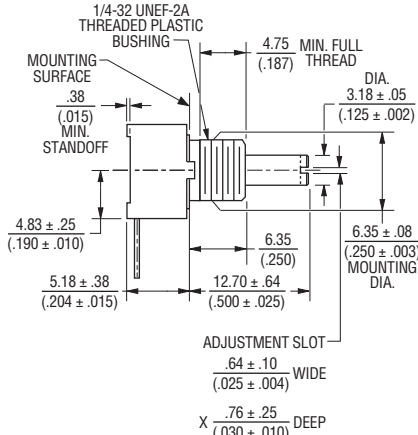
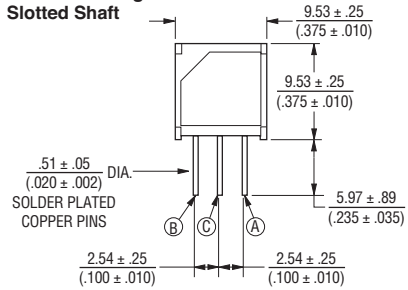


3315 - 9 mm Square Sealed Incremental Encoder

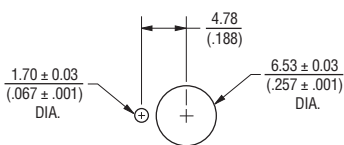
BOURNS®

Product Dimensions

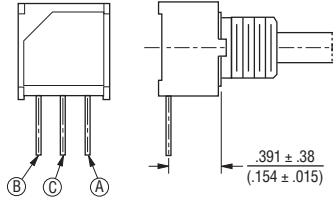
COMMON DIMENSIONS 3315-001 Plastic Bushing Slotted Shaft



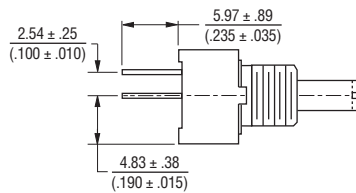
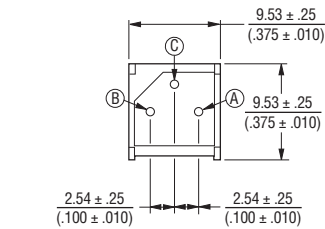
MOUNTING HOLE PATTERN



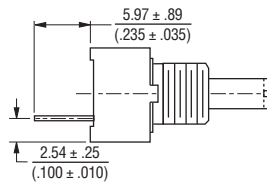
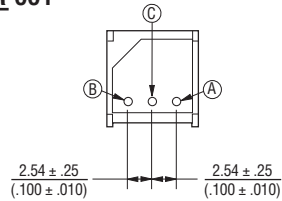
3315C-001



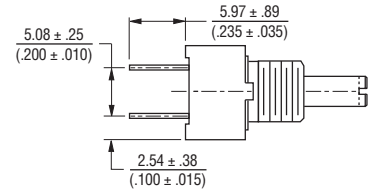
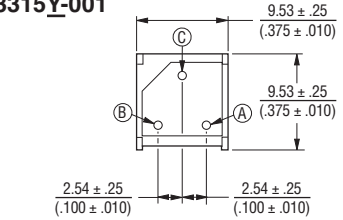
3315P-001



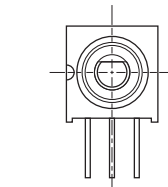
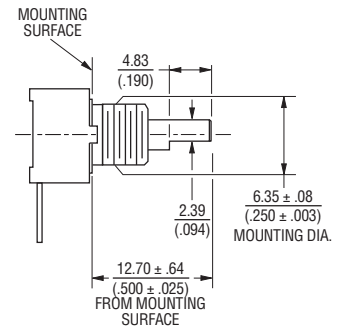
3315R-001



3315Y-001



COMMON DIMENSIONS 3315C-101 Plastic Flatted Shaft



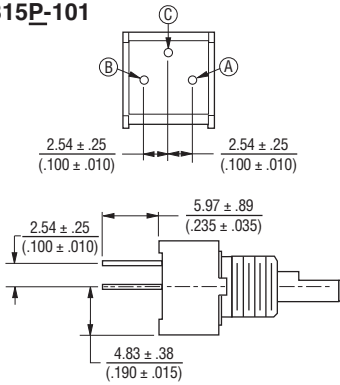
DIMENSIONS: $\frac{\text{MM}}{\text{(INCHES)}}$

3315 - 9 mm Square Sealed Incremental Encoder

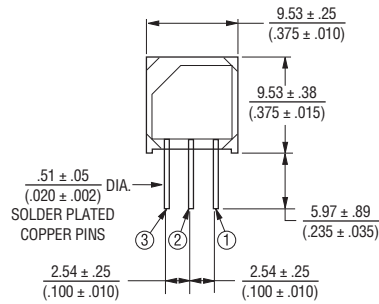
BOURNS®

Product Dimensions

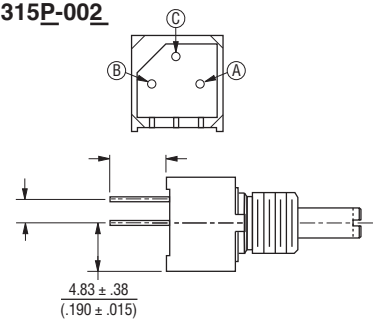
3315P-101



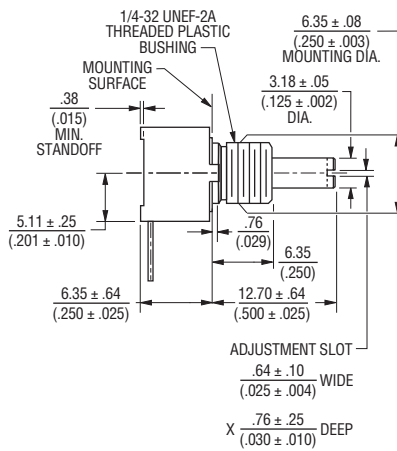
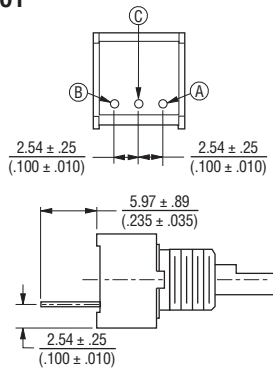
COMMON DIMENSIONS 3315-002 Metal Bushing



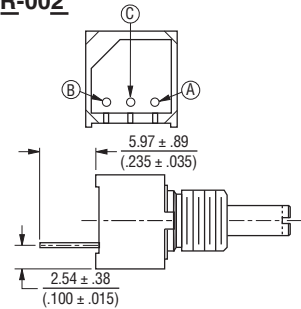
3315P-002



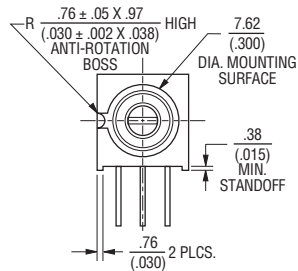
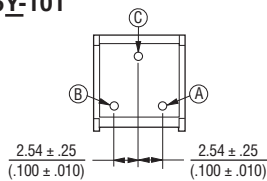
3315R-101



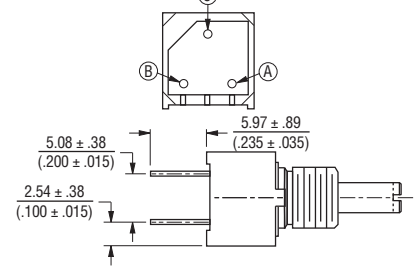
3315R-002



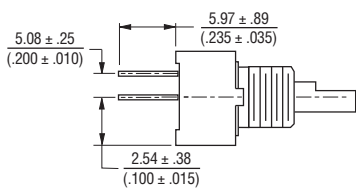
3315Y-101



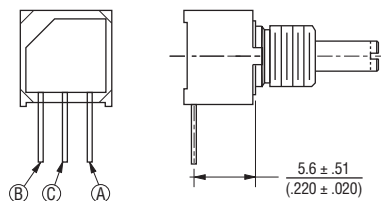
3315Y-002



DIMENSIONS: $\frac{\text{MM}}{\text{(INCHES)}}$



3315C-002



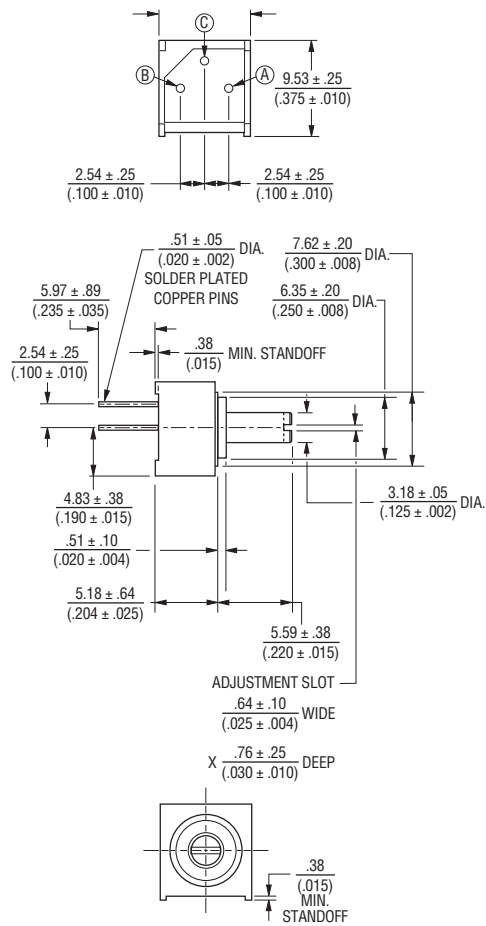
3315 - 9 mm Square Sealed Incremental Encoder

BOURNS®

Product Dimensions

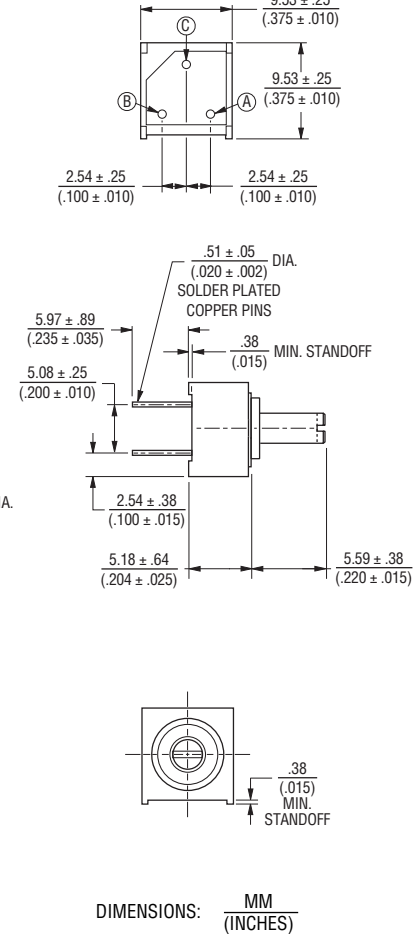
3315P-025

Bushingless



3315Y-025

Bushingless



REV. 10/12

Specifications are subject to change without notice.
Customers should verify actual device performance in their specific applications.

Mouser Electronics

Authorized Distributor

Click to View Pricing, Inventory, Delivery & Lifecycle Information:

Bourns:

[3315Y-002-006](#) [3315P-112-016](#) [3315P-012-016](#) [3315P-111-016](#) [3315P-011-016](#) [3315C-025-016](#) [3315C-125-016](#)
[3315P-125-016](#) [3315P-025-016](#) [3315R-111-016](#) [3315R-011-016](#) [3315C-012-016](#) [3315C-112-016](#) [3315Y-11-016](#)
[3315R-002-006](#) [3315C-001-006](#) [3315R-002-016](#) [3315R-102-016](#) [3315R-125-016](#) [3315Y-12-016](#) [3315Y-112-016](#)
[3315Y-012-016](#) [3315Y-102-016](#) [3315Y-002-016](#) [3315R-001-006](#) [3315R-001-016](#) [3315R-101-016](#) [3315C-102-016L](#)
[3315P-025-016L](#) [3315R-101-016L](#) [3315R-102-016L](#) [3315Y-025-016L](#) [3315Y-101-016L](#) [3315Y-111-006L](#) [3315Y-](#)
[101-016](#) [3315Y-001-016](#) [3315Y-001-006](#) [3315Y-101-006](#) [3315Y-025-016](#) [3315Y-025-006](#) [3315Y-125-016](#) [3315Y-](#)
[111-016](#) [3315Y-111-006](#) [3315Y-011-016](#) [3315Y-011-006](#) [3315P-001-006](#) [3315P-001-016](#) [3315P-101-016](#) [3315C-](#)
[101-016](#) [3315C-001-016](#) [3315C-002-006](#) [3315C-002-016](#) [3315C-102-016](#) [3315P-002-006](#) [3315P-102-016](#) [3315P-](#)
[002-016](#) [3315R-012-016](#) [3315R-112-016](#) [3315C-111-016](#) [3315R-125-006](#) [3315P-125-006](#) [3315P-025-006](#) [3315R-](#)
[025-016](#) [3315C-111-016L](#) [3315P-001-006L](#) [3315C-001-006L](#) [3315C-001-016L](#) [3315Y-001-006L](#) [3315Y-001-016L](#)
[3315P-025-006L](#) [3315C-002-016L](#) [3315C-101-016L](#) [3315C-125-016L](#) [3315P-001-016L](#) [3315C-002-006L](#) [3315C-](#)
[012-016L](#) [3315C-025-016L](#) [3315C-112-016L](#) [3315P-002-006L](#) [3315P-011-016L](#) [3315P-101-016L](#) [3315P-102-016L](#)
[3315P-111-016L](#) [3315P-112-016L](#) [3315P-125-016L](#) [3315R-001-006L](#) [3315R-001-016L](#) [3315R-002-006L](#) [3315R-](#)
[002-016L](#) [3315R-111-016L](#) [3315R-112-016L](#) [3315R-125-016L](#) [3315Y-002-006L](#) [3315Y-002-016L](#) [3315Y-102-016L](#)
[3315Y-111-016L](#) [3315Y-112-016L](#) [3315Y-125-016L](#) [3315P-002-016L](#) [3315P-012-016L](#)