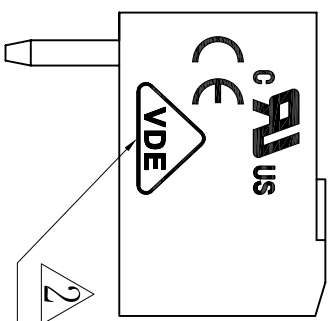
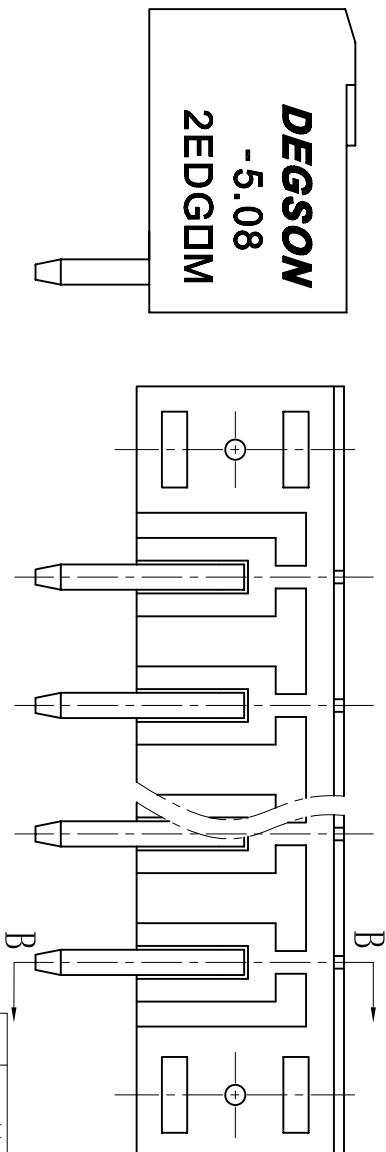
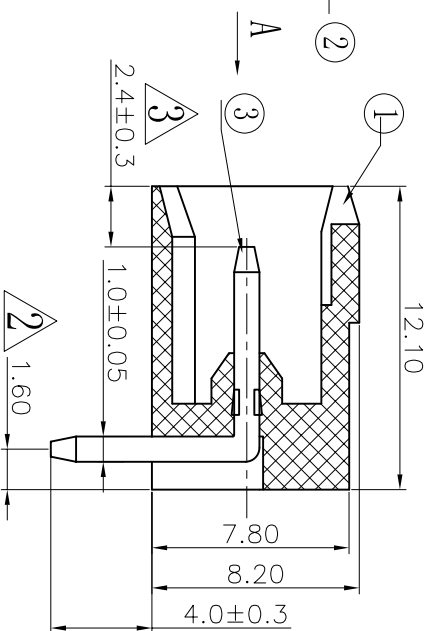
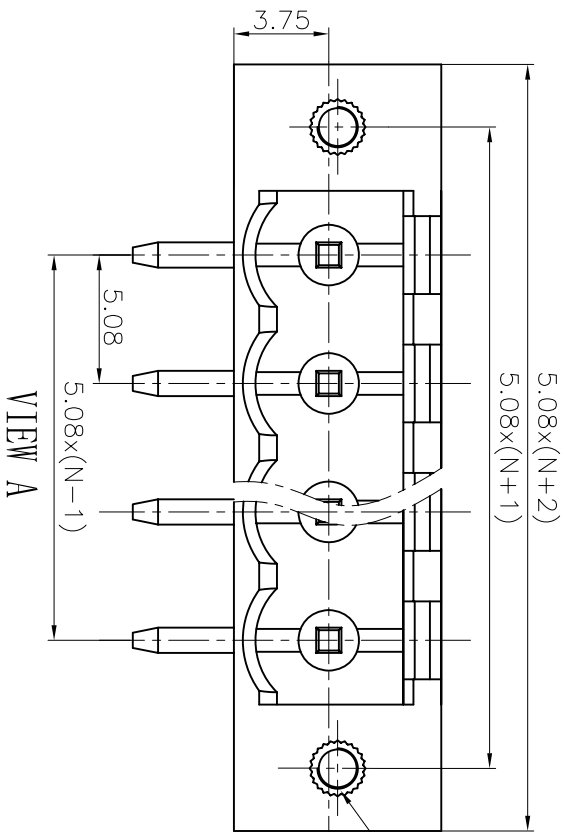


REVISION RECORD			
REV	ECO	DESCRIPTION	DATE
△		Drawing amend	04/04/06
△		更新图面	04/16/06
△		增加标注尺寸	10/07/10
			0000



Notes:

1. Pitch: 5.08mm, Poles: 2-22P
2. Rated voltage/current: UL 300V/15A VDE 320V/20A
3. Operation temperatures: -40°C ~ +105°C
4. Withstanding Voltage: AC2000V/1Min
5. Insulation Resistance: 5000MΩ/DC1000V
6. Undimensioned Tolerances:

Pitch range in mm	Nominal dimension range in mm
over 6 to 10	over 30 to 60
over 10 to 24	over 60 to 100
	over 100 to 150
±0.10	±0.15
	±0.25 ± 0.2 ± 0.3 ± 0.5 ± 0.7 ± 1.0/0.05/10

ITEM	NAME OF PART	NO. OF PART	Q'TY	MATERIAL	NOTES
3	2EDGR (A) Pin header (1*8, 25*8, 7)	10088B0040(H)	XX	Brass	SnCe
2	2EDCK Screw Cap	S000000040(H)	2	Brass	
1	2EDGRM-5.08-Housing	1012A0VXXA(H)	1	PA66	UL94V-0 B

DETACHED LISTS		FINISH		SCALE	
ANGLES ± 1°	THIRD ANGLE PROJECTION	G.E.:	SCALE:	DO NOT SCALE DRAWING	1:1
TOLERANCES EXCEPT AS NOTED	APPLY DATE	DATE	DATE		
MM	APPLY DATE	DATE	DATE		
0 ±					
.00 ±					
±					
±					
±					
±					

DEGSON 宁波尚正电子有限公司
DEGSON ELECTRONICS CO., LTD

NAME: 2EDGRM-5.08-XXP-1Y-00A(H)

DRAWING NO. 2EDGRM-5.08-E03

SIZE: A3

REV: 1/0