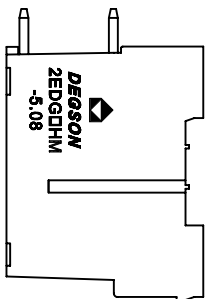
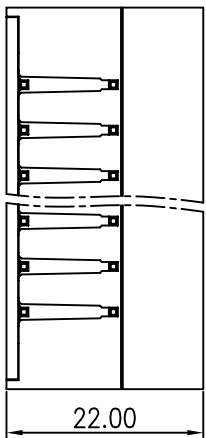
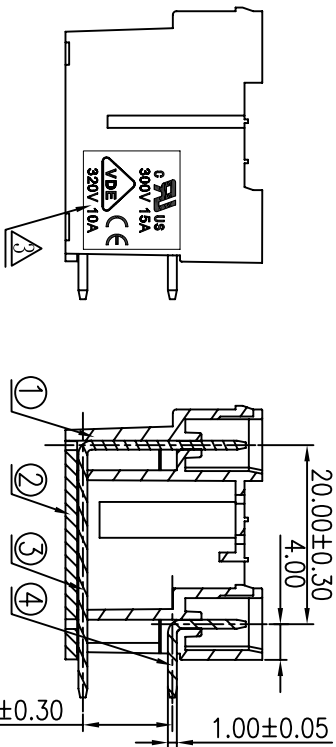
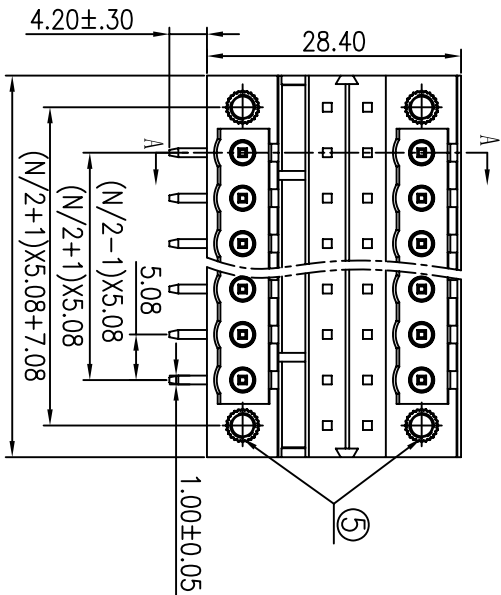


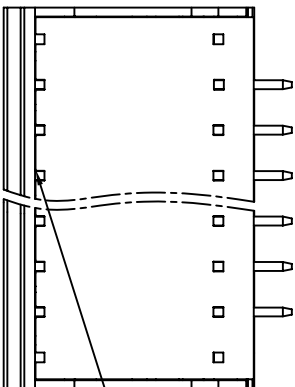
REVISION RECORD			
REV	ECO	DESCRIPTION	DRFT DATE
△		增加U刻字	CSX 08/31/07
△		品名、料号增加环保标示“(0)”	LJH 12/11/07
△		增加VDE刻字及参数	ZengY 12/11/08



Notes:

1. Pitch: 5.08mm, Poles: 4-48P
3. Rated voltage/current: UL 300V 15A
VDE 320V 10A
4. Operation temperatures: -40°C ~ +105°C
5. Withstanding Voltage: AC2000V/1Min
6. Insulation Resistance: 5000MΩ/DC1000V
7. Undimensioned Tolerances:

Pitch	range in mm	Nominal dimension	range in mm
6	over 6 to 10	30	over 30 to 60
10	over 10 to 24	60	over 60 to 100
15	over 15 to 24	100	over 100 to 150
±0.10	±0.15	±0.25	±0.2 ±0.3 ±0.5 ±0.7 ±1.0 (0.05/10)



注：盖与座需超音波焊接

ITEM	DESCRIPTION	QTY	MATERIAL	NOTES
5	2EDGDRH Screw	4	Brass	
4	2EDGDRH Pin header (short)	XX/2	Brass	SnCe
3	2EDGDRH Pin header (long)	XX/2	Brass	SnCe
2	2EDGDRH-5.08 Cover	1	PA66	UL94V-0

ITEM	NAME OF PART	NO. OF PART	QTY	MATERIAL	NOTES
1	2EDGDRHM-5.08 Housing	1077A0VXXA (H)	1	PA66	UL94V-0

DETACHED LISTS	
ANGLE ± 1°	±
FINISH:	SCALE: 1:1

DEGSON		DEGSON ELECTRONICS CO., LTD	
NAME	2EDGDRHM-5.08-XXP-1Y-00A(H)	DRAWING NO.	2EDGDRHM-5.08-E01
DATE	06/24/06	SIZE	A3
DATE		REV	T3
DATE		REV	13
DATE		REV	13