

## Mini USB Connector Series

KLS1-229-4FB Mini-USB-A4F PCB Right Angle SMT Type

### MATERIAL

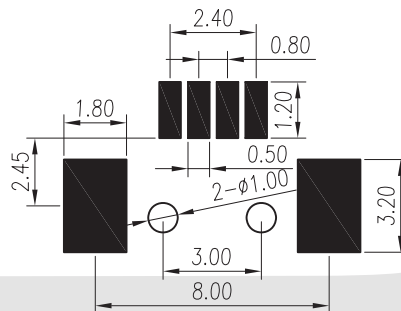
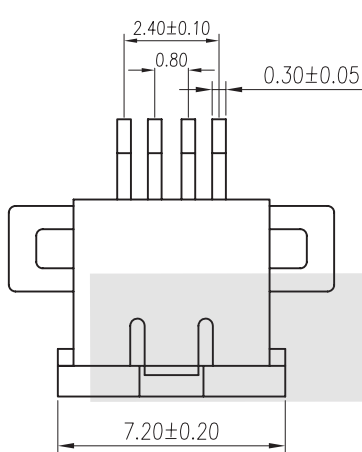
Insulator: LCP Rated UL94V-0  
Contacts: Phosphor Bronze  
Shell: Phosphor Bronze  
Pin Plated: Gold 3u" over 50u" nickel

### ELECTRICAL

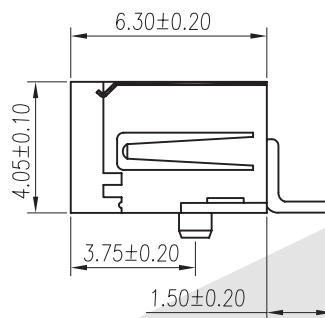
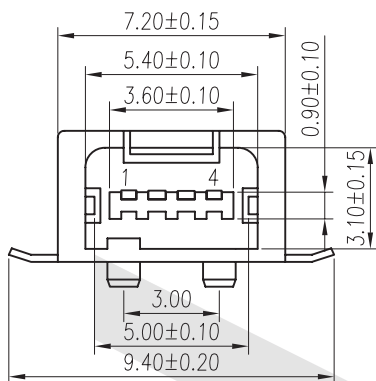
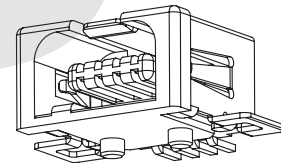
Current Rating: 1.0 Amps Max.  
Contact Resistance: 30 mΩ Max  
Insulation Resistance: 1000 MΩ Min  
Dielectric Withstanding Voltage: 500 VAC / Minute

### MECHANICAL

Mating force: 3.0Kg Max. (29. 4N)  
Unmating force: 0. 5Kg Min (4. 9N)  
Contact Retention: 0.3 Kg / Pin Min. (2.94N)  
Operating Temperature: -55°C ~ +105°C



RECOMMENDED PCB LAYOUT  
\*\*\*\*\*



## ORDER INFORMATION

Product NO.: KLS1 - 229-4FB - W

Pos. NO. \_\_\_\_\_  
Mini-USB-A4F PCB  
Right Angle SMT Type

Color: W=WHITE  
B=BLACK