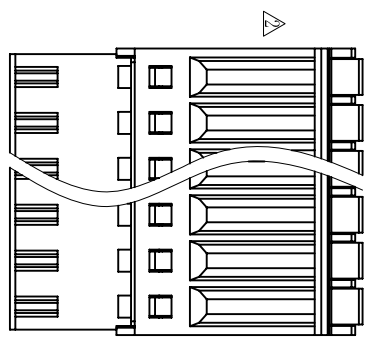
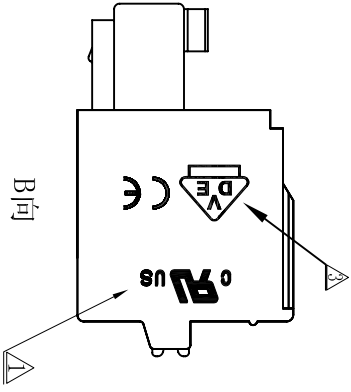


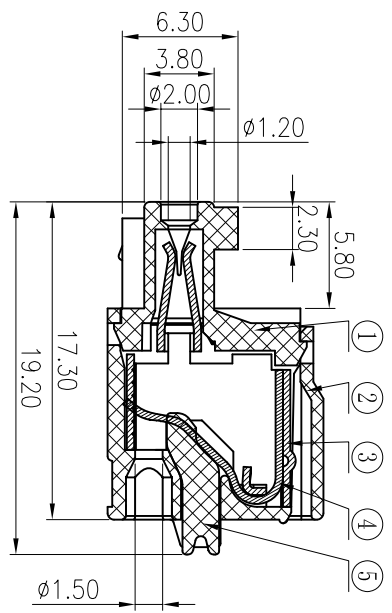
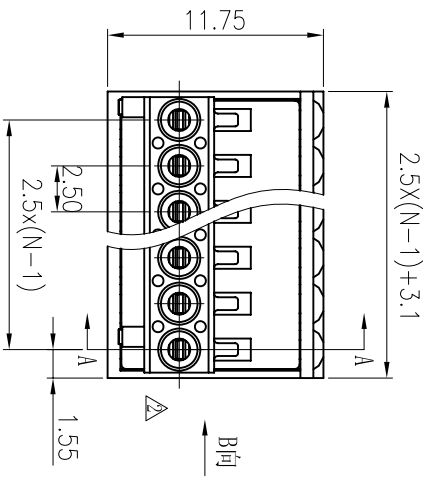
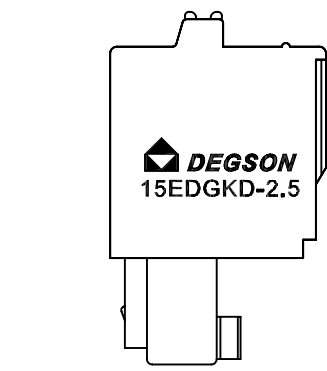
REVISION RECORD

REV	ECN	DESCRIPTION	DFT	DATE
△	10-0070	增加UL 刻字及参数	GHY	04/08/10
△	10-0287	修改外观	Yinwei Lam	08/31/10
△	10-0321	增加DIE刻字及修改参数	ZXX	09/28/10



- Notes:
1. Pitch: 2.5, Poles: 2-12P
 2. Rated voltage/Current: UL 150V 4A △
VDE 250V 5A △
 3. Operation temperatures: -40°C ~ +105°C
 4. Rated impulse voltage: 1.5KV
 5. Withstanding Voltage: AC1500V/1min
 6. Insulation Resistance: 5000MΩ/DC1000V
 7. Wier Range: 26-20AWG, 0.2-0.5mm² △
 8. Undimensioned Tolerances:

Pitch range in mm	Nominal dimension	range in mm
over 6	over 30	over 60
to 10	to 60	to 100
to 15	to 90	to 150
to 24	to 120	to 150
to 30	to 150	to 150
to 60	to 300	to 300
to 100	to 600	to 600
to 150	to 900	to 900
to 200	to 1200	to 1200
to 250	to 1500	to 1500
to 300	to 1800	to 1800
to 400	to 2400	to 2400
to 500	to 3000	to 3000
to 600	to 3600	to 3600
to 800	to 4800	to 4800
to 1000	to 6000	to 6000



SECTION A-A

ITEM	NAME OF PART	NO. OF PART	Q'TY	MATERIAL	NOTES
5	15EDGKD-2.5 Button	1100D05XXC(H)	XX	POM	UL94HB
4	15EDGKD-2.5 Spring	X000003900(H)	XX	Stainless steel	
3	15EDGKD-2.5 Clamp	1100B00010(H)	XX	Phosphor bronze	Snce
2	15EDGKD-2.5 Housing	1100A01YXXA(H)	1	PA66	UL94V-0
1	15EDGKD-2.5 Cover	1100C01YXXA(H)	1	PA66	UL94V-0

DETACHED LISTS	
MM	INCH
TOLERANCES EXCEPT AS NOTED	
0.25 ±	
0.10 ±	
0.05 ±	
0.02 ±	
0.01 ±	
ANGLES ± 1°	
FINISH:	
SCALE: 1:1	

DEGSON 宁波高正电子有限公司
DEGSON ELECTRONICS CO., LTD

NAME: 15EDGKD-2.5-XXP-1Y-00A(H)

DRAWING NO. 15EDGKD-2.5-E01

REV: T3

DATE: 09/28/10

