

±10g Dual Axis Micromachined Accelerometer

The MMA6200 series of low cost capacitive micromachined accelerometers feature signal conditioning, a 1-pole low pass filter and temperature compensation. Zero-g offset full scale span and filter cut-off are factory set and require no external devices. A full system self-test capability verifies system functionality.

Features

- Low Noise
- Low Cost
- Low Power
- 2.7 V to 3.6 V Operation
- 6mm x 6mm x 1.98 mm QFN
- Integral Signal Conditioning with Low Pass Filter
- Linear Output
- Ratiometric Performance
- Self-Test
- Robust Design, High Shocks Survivability

Typical Applications

- Pedometer
- Appliance Control
- Impact Monitoring
- Vibration Monitoring and Recording
- Position & Motion Sensing
- Freefall Detection
- Smart Portable Electronics

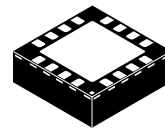
ORDERING INFORMATION

| Device Name | Bandwidth Response | I _{DD} | Case No. | Package |
|-------------|--------------------|-----------------|----------|---------------------|
| MMA6231Q | 300 Hz | 1.2 mA | 1477-01 | QFN-16, Tube |
| MMA6231QR2 | 300 Hz | 1.2 mA | 1477-01 | QFN-16, Tape & Reel |
| MMA6233Q | 900 Hz | 2.2 mA | 1477-01 | QFN-16, Tube |
| MMA6233QR2 | 900 Hz | 2.2 mA | 1477-01 | QFN-16, Tape & Reel |

MMA6231Q
MMA6233Q

**MMA6230Q Series: X-Y AXIS SENSITIVITY
MICROMACHINED ACCELEROMETER**
±10 g

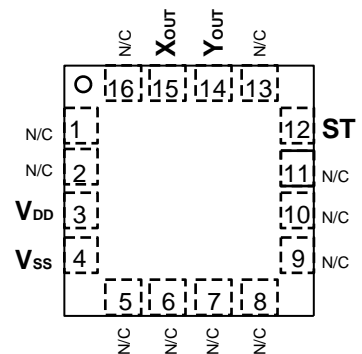
Bottom View



16 LEAD QFN
CASE 1477-01

Pin Assignment

Top View



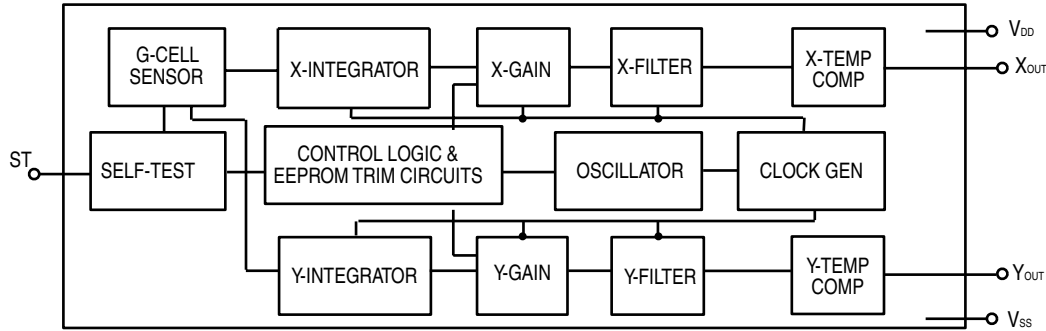


Figure 1. Simplified Accelerometer Functional Block Diagram

MAXIMUM RATINGS (Maximum ratings are the limits to which the device can be exposed without causing permanent damage.)

| Rating | Symbol | Value | Unit |
|---------------------------------|------------|--------------|------|
| Maximum Acceleration (all axis) | g_{max} | ± 2000 | g |
| Supply Voltage | V_{DD} | -0.3 to +3.6 | V |
| Drop Test ¹ | D_{drop} | 1.2 | m |
| Storage Temperature Range | T_{stg} | -40 to +125 | °C |

NOTE:

1. Dropped onto concrete surface from any axis

ELECTRO STATIC DISCHARGE (ESD)

WARNING: This device is sensitive to electrostatic discharge.

Although the Motorola accelerometers contain internal 2000 V ESD protection circuitry, extra precaution must be taken by the user to protect the chip from ESD. A charge of over 2000 volts can accumulate on the human body or associated test equipment. A charge of this magnitude

can alter the performance or cause failure of the chip. When handling the accelerometer, proper ESD precautions should be followed to avoid exposing the device to discharges which may be detrimental to its performance.

Operating Characteristics

Unless otherwise noted: $-20^{\circ}\text{C} \leq T_A \leq 85^{\circ}\text{C}$, $3.0\text{ V} \leq V_{DD} \leq 3.6\text{ V}$, Acceleration = 0g, Loaded output¹

| Characteristic | Symbol | Min | Typ | Max | Unit |
|--|------------------|-----------------|-------|-----------------|--------------------------------|
| Operating Range ² | | | | | |
| Supply Voltage ³ | V_{DD} | 2.7 | 3.3 | 3.6 | V |
| Supply Current | | | | | |
| MMA6231Q | I_{DD} | — | 1.2 | 1.5 | mA |
| MMA6233Q | I_{DD} | — | 2.2 | 3.0 | mA |
| Operating Temperature Range | T_A | -20 | — | +85 | $^{\circ}\text{C}$ |
| Acceleration Range | g_{FS} | — | 10 | — | g |
| Output Signal | | | | | |
| Zero g ($T_A = 25^{\circ}\text{C}$, $V_{DD} = 3.3\text{ V}$) ⁴ | V_{OFF} | 1.485 | 1.65 | 1.815 | V |
| Zero g | V_{OFF}, T_A | — | 2.0 | — | $\text{mg}/^{\circ}\text{C}$ |
| Sensitivity ($T_A = 25^{\circ}\text{C}$, $V_{DD} = 3.3\text{ V}$) | S | 111 | 120 | 129 | mV/g |
| Sensitivity | S, T_A | — | 0.015 | — | $\%/^{\circ}\text{C}$ |
| Bandwidth Response | | | | | |
| MMA6231Q | f_{3dB} | — | 300 | — | Hz |
| MMA6233Q | f_{3dB} | — | 900 | — | Hz |
| Nonlinearity | NL_{OUT} | -1.0 | — | +1.0 | % FSO |
| Noise | | | | | |
| MMA6231Q RMS (0.1 Hz – 1 kHz) | n_{RMS} | — | 0.7 | — | mVrms |
| MMA6233Q RMS (0.1 Hz – 1 kHz) | n_{RMS} | — | 0.6 | — | |
| Power Spectral Density RMS (0.1 Hz – 1 kHz) | | | | | |
| MMA6231Q | n_{PSD} | — | 50 | — | $\mu\text{g}/\sqrt{\text{Hz}}$ |
| MMA6233Q | n_{PSD} | — | 30 | — | |
| Self-Test | | | | | |
| Output Response | g_{ST} | 2.0 | — | — | g |
| Input Low | V_{IL} | — | — | $0.3 V_{DD}$ | V |
| Input High | V_{IH} | $0.7 V_{DD}$ | — | V_{DD} | V |
| Pull-Down Resistance ⁵ | R_{PO} | 43 | 57 | 71 | $\text{k}\Omega$ |
| Response Time ⁶ | t_{ST} | — | 2.0 | — | ms |
| Output Stage Performance | | | | | |
| Full-Scale Output Range ($I_{OUT} = 200\ \mu\text{A}$) | V_{FSO} | $V_{SS} + 0.25$ | — | $V_{DD} - 0.25$ | V |
| Capacitive Load Drive ⁷ | C_L | — | — | 100 | pF |
| Output Impedance | Z_O | — | 50 | 300 | Ω |
| Power-Up Response Time | | | | | |
| MMA6231Q | $t_{RESPONSE}$ | — | 2.0 | — | ms |
| MMA6233Q | $t_{RESPONSE}$ | — | 0.7 | — | ms |
| Mechanical Characteristics | | | | | |
| Transverse Sensitivity ⁸ | V_{ZX}, YX, ZY | -5.0 | — | +5.0 | % FSO |

NOTES:

- For a loaded output, the measurements are observed after an RC filter consisting of a 1.0 k Ω resistor and a 0.1 μF capacitor to ground.
- These limits define the range of operation for which the part will meet specification.
- Within the supply range of 2.7 and 3.6 V, the device operates as a fully calibrated linear accelerometer. Beyond these supply limits the device may operate as a linear device but is not guaranteed to be in calibration.
- The device can measure both + and - acceleration. With no input acceleration the output is at midsupply. For positive acceleration the output will increase above $V_{DD}/2$. For negative acceleration, the output will decrease below $V_{DD}/2$.
- The digital input pin has an internal pull-down resistance to prevent inadvertent self-test initiation due to external board level leakages.
- Time for the output to reach 90% of its final value after a self-test is initiate.
- Preserves phase margin (60 $^{\circ}$) to guarantee output amplifier stability.
- A measure of the device's ability to reject an acceleration applied 90 $^{\circ}$ from the true axis of sensitivity.

PRINCIPLE OF OPERATION

The Motorola accelerometer is a surface-micromachined integrated-circuit accelerometer.

The device consists of a surface micromachined capacitive sensing cell (g-cell) and a signal conditioning ASIC contained in a single integrated circuit package. The sensing element is sealed hermetically at the wafer level using a bulk micromachined *cap* wafer.

The g-cell is a mechanical structure formed from semiconductor materials (polysilicon) using semiconductor processes (masking and etching). It can be modeled as a set of beams attached to a movable central mass that move between fixed beams. The movable beams can be deflected from their rest position by subjecting the system to an acceleration (Figure 2).

As the beams attached to the central mass move, the distance from them to the fixed beams on one side will increase by the same amount that the distance to the fixed beams on the other side decreases. The change in distance is a measure of acceleration.

The g-cell plates form two back-to-back capacitors (Figure 2). As the center plate moves with acceleration, the distance between the plates changes and each capacitor's value will change, ($C = A\epsilon/D$). Where A is the area of the plate, ϵ is the dielectric constant, and D is the distance between the plates.

The ASIC uses switched capacitor techniques to measure the g-cell capacitors and extract the acceleration data from the difference between the two capacitors. The ASIC also signal conditions and filters (switched capacitor) the signal, providing a high level output voltage that is ratiometric and proportional to acceleration.

SPECIAL FEATURES

Filtering

These Motorola accelerometers contain an onboard single-pole switched capacitor filter. Because the filter is realized using switched capacitor techniques, there is no requirement for external passive components (resistors and capacitors) to set the cut-off frequency.

Self-Test

The sensor provides a self-test feature allowing the verification of the mechanical and electrical integrity of the accelerometer at any time before or after installation. A fourth *plate* is used in the g-cell as a self-test plate. When a logic high input to the self-test pin is applied, a calibrated potential is applied across the self-test plate and the moveable plate. The resulting electrostatic force ($F_e = 1/2 AV^2/d^2$) causes the center plate to deflect. The resultant deflection is measured by the accelerometer's ASIC and a proportional output voltage results. This procedure assures both the mechanical (g-cell) and electronic sections of the accelerometer are functioning.

Motorola accelerometers include fault detection circuitry and a fault latch. Parity of the EEPROM bits becomes odd in number.

Self-test is disabled when EEPROM parity error occurs.

Ratiometricity

Ratiometricity simply means the output offset voltage and sensitivity will scale linearly with applied supply voltage. That is, as supply voltage is increased, the sensitivity and offset increase linearly; as supply voltage decreases, offset and sensitivity decrease linearly. This is a key feature when interfacing to a microcontroller or an A/D converter because it provides system level cancellation of supply induced errors in the analog to digital conversion process.

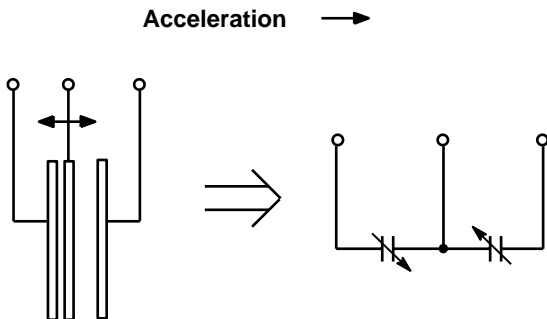


Figure 2. Simplified Transducer Physical Model

BASIC CONNECTIONS

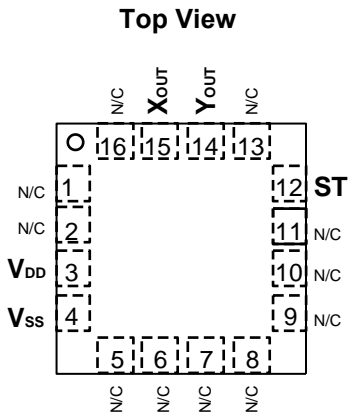


Figure 3. Pinout Description

| Pin No. | Pin Name | Description |
|------------------|------------------|---|
| 1, 5 - 7, 13, 16 | N/C | No internal connection. Leave unconnected. |
| 14 | Y _{OUT} | Output voltage of the accelerometer. Y Direction. |
| 15 | X _{OUT} | Output voltage of the accelerometer. X Direction. |
| 3 | V _{DD} | Power supply input. |
| 4 | V _{SS} | The power supply ground. |
| 2, 8 - 11 | N/C | Used for factory trim. Leave unconnected. |
| 12 | ST | Logic input pin used to initiate self-test. |

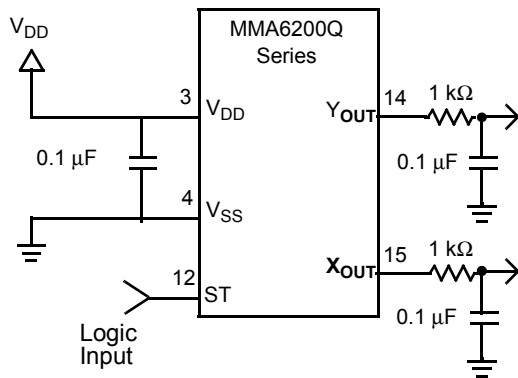


Figure 4. Accelerometer with Recommended Connection

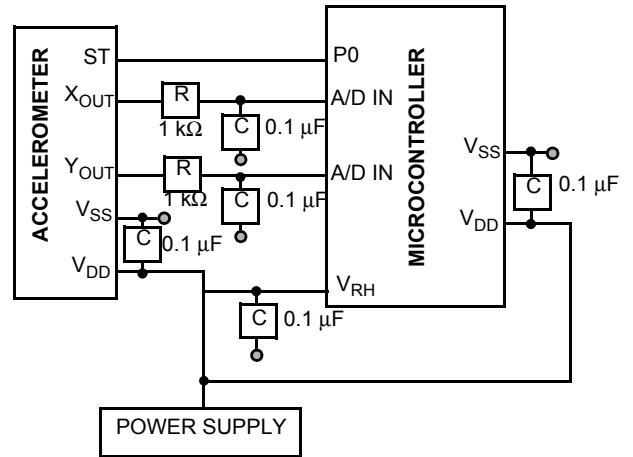
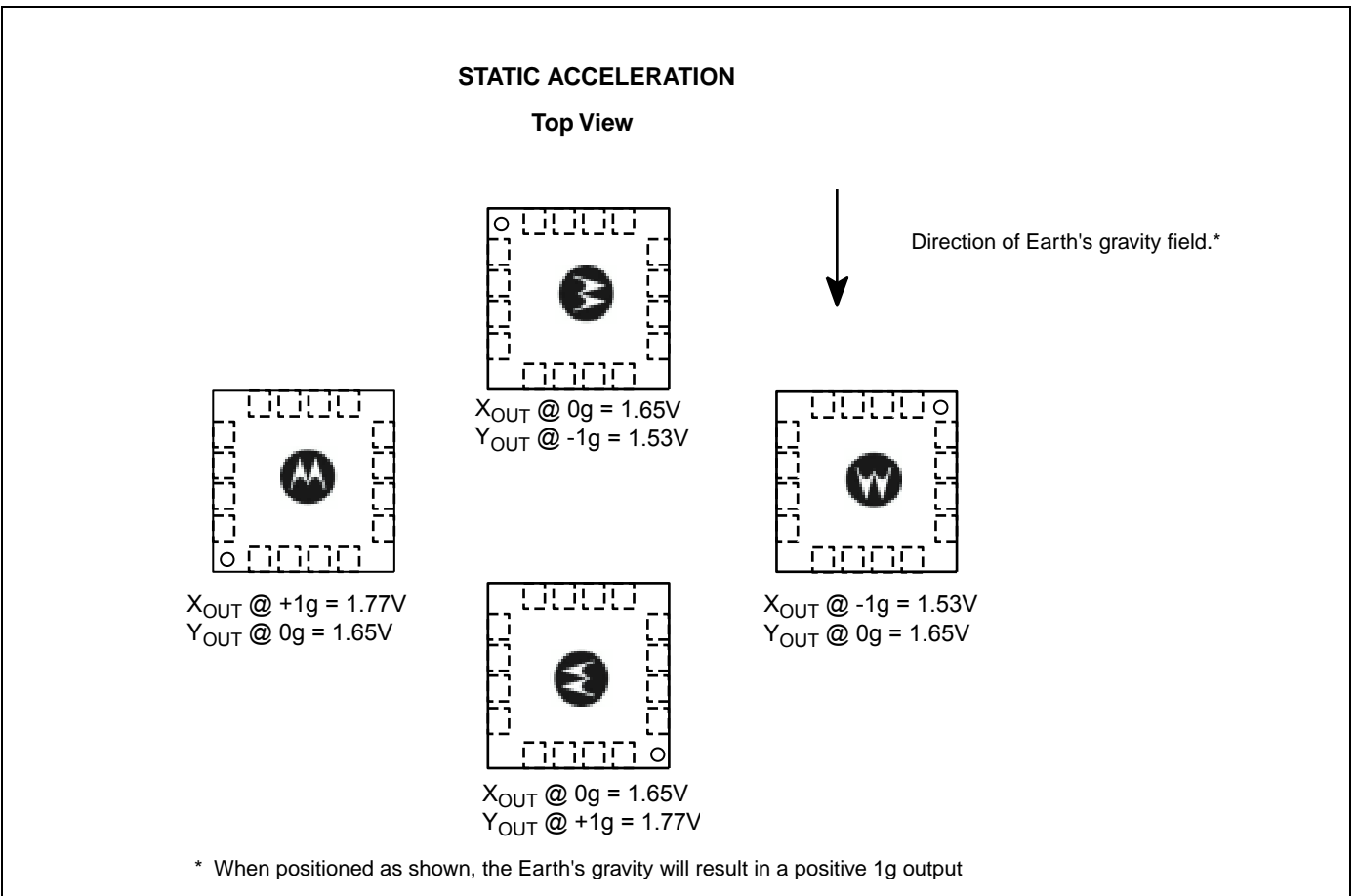
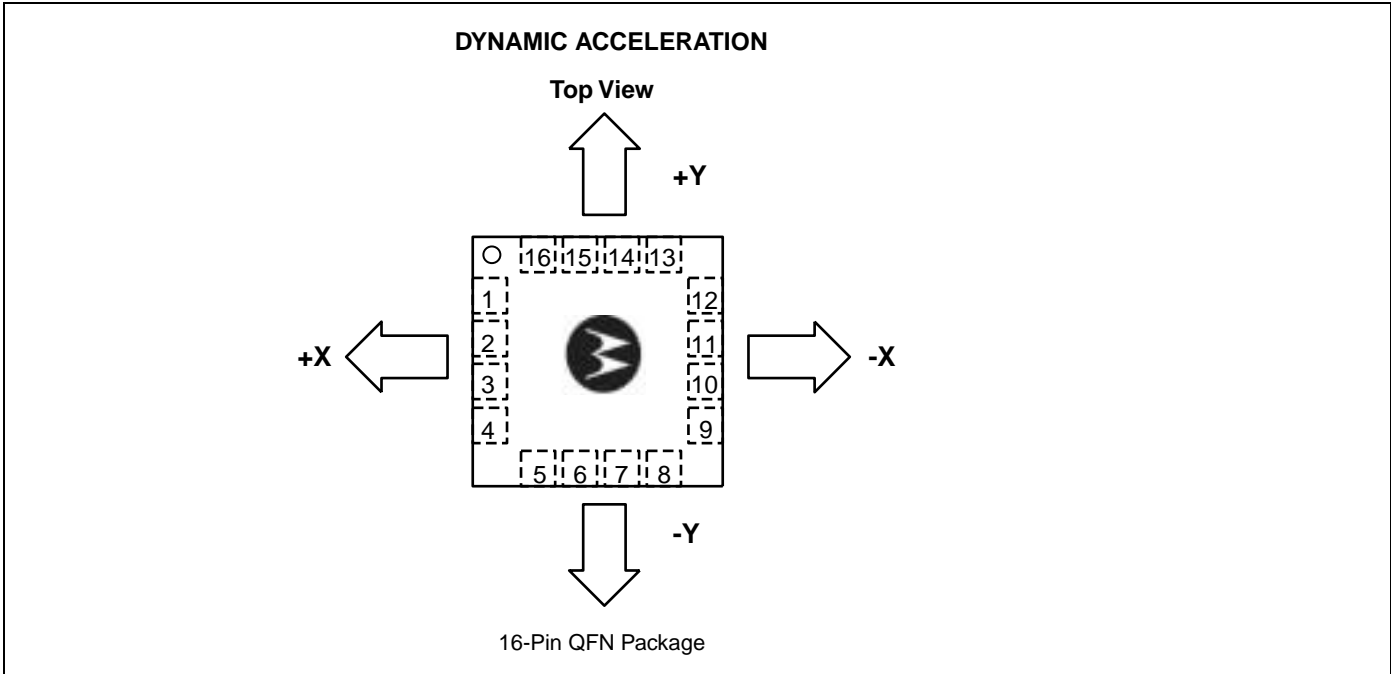
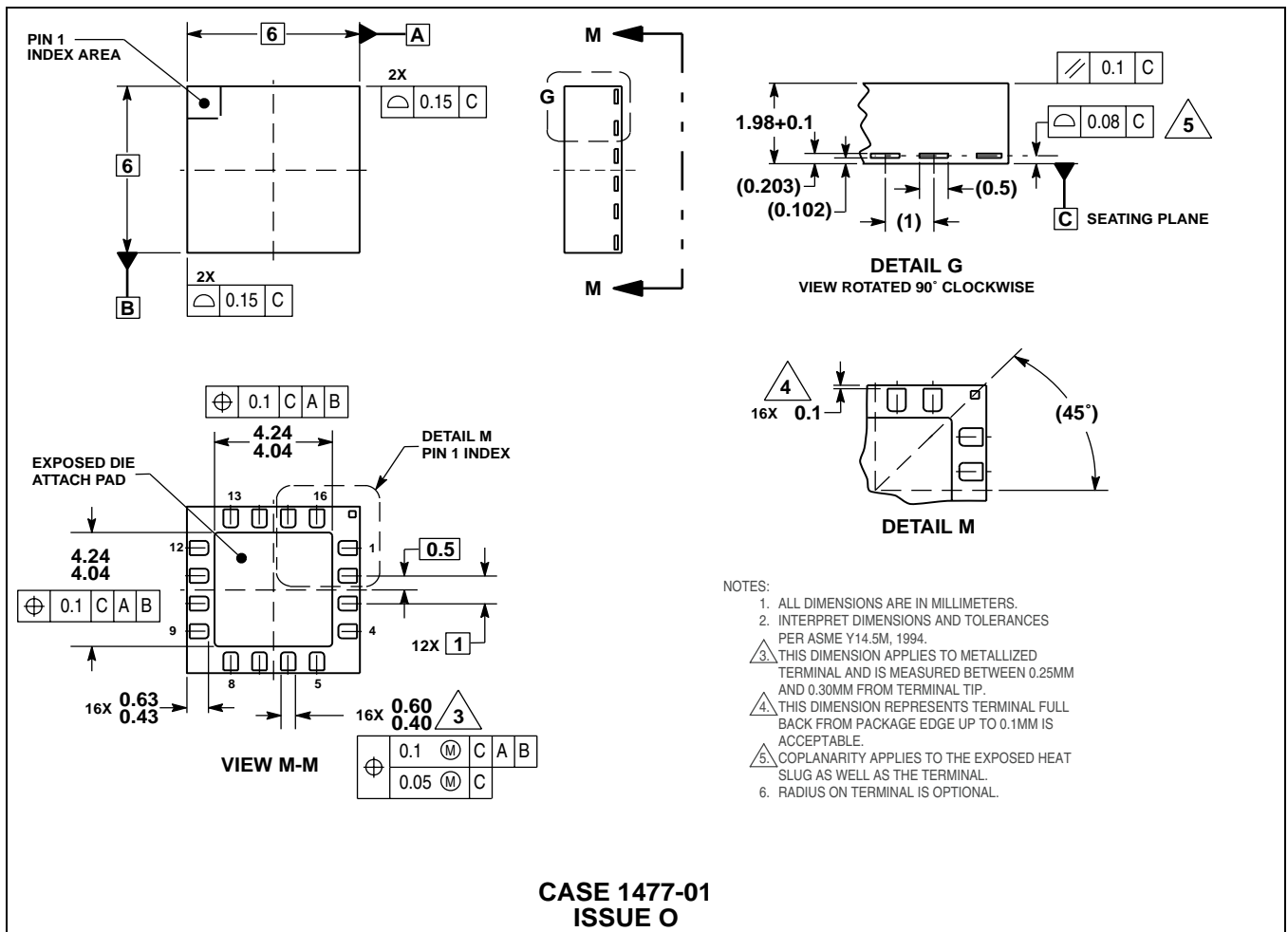


Figure 5. Recommend PCB Layout for Interfacing Accelerometer to Microcontroller

Notes:

1. Use 0.1 μF capacitor on V_{DD} to decouple the power source.
2. Physical coupling distance of the accelerometer to the microcontroller should be minimal.
3. Flag underneath package is connected to ground.
4. Place a ground plane beneath the accelerometer to reduce noise, the ground plane should be attached to all of the open ended terminals shown in Figure 5.
5. Use an RC filter with 1.0 kΩ and 0.1 μF on the outputs of the accelerometer to minimize clock noise (from the switched capacitor filter circuit).
6. PCB layout of power and ground should not couple power supply noise.
7. Accelerometer and microcontroller should not be a high current path.
8. A/D sampling rate and any external power supply switching frequency should be selected such that they do not interfere with the internal accelerometer sampling frequency (16 kHz for Low I_{DD} and 52 kHz for Standard I_{DD} for the sampling frequency). This will prevent aliasing errors.

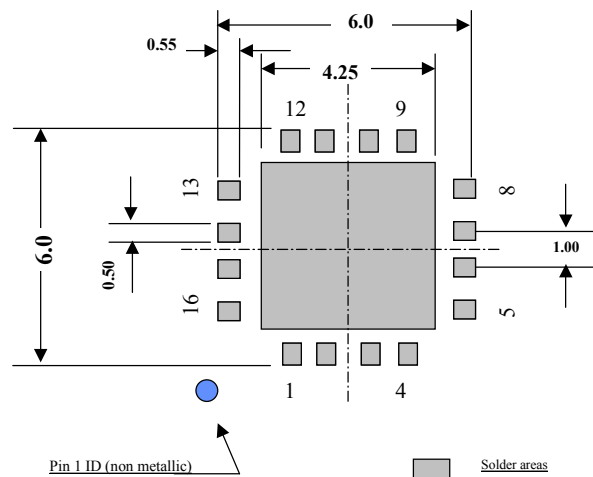




MINIMUM RECOMMENDED FOOTPRINT FOR SURFACE MOUNTED APPLICATIONS

Surface mount board layout is a critical portion of the total design. The footprint for the surface mount packages must be the correct size to ensure proper solder connection interface between the board and the package.

With the correct footprint, the packages will self-align when subjected to a solder reflow process. It is always recommended to design boards with a solder mask layer to avoid bridging and shorting between solder pads.



Information in this document is provided solely to enable system and software implementers to use Motorola products. There are no express or implied copyright licenses granted hereunder to design or fabricate any integrated circuits or integrated circuits based on the information in this document.

Motorola reserves the right to make changes without further notice to any products herein. Motorola makes no warranty, representation or guarantee regarding the suitability of its products for any particular purpose, nor does Motorola assume any liability arising out of the application or use of any product or circuit, and specifically disclaims any and all liability, including without limitation consequential or incidental damages. "Typical" parameters which may be provided in Motorola data sheets and/or specifications can and do vary in different applications and actual performance may vary over time. All operating parameters, including "Typicals" must be validated for each customer application by customer's technical experts. Motorola does not convey any license under its patent rights nor the rights of others. Motorola products are not designed, intended, or authorized for use as components in systems intended for surgical implant into the body, or other applications intended to support or sustain life, or for any other application in which the failure of the Motorola product could create a situation where personal injury or death may occur. Should Buyer purchase or use Motorola products for any such unintended or unauthorized application, Buyer shall indemnify and hold Motorola and its officers, employees, subsidiaries, affiliates, and distributors harmless against all claims, costs, damages, and expenses, and reasonable attorney fees arising out of, directly or indirectly, any claim of personal injury or death associated with such unintended or unauthorized use, even if such claim alleges that Motorola was negligent regarding the design or manufacture of the part.

MOTOROLA and the Stylized M Logo are registered in the US Patent and Trademark Office. All other product or service names are the property of their respective owners.

© Motorola, Inc. 2004

HOW TO REACH US:

USA/EUROPE/LOCATIONS NOT LISTED:
Motorola Literature Distribution
P.O. Box 5405, Denver, Colorado 80217
1-800-521-6274 or 480-768-2130

JAPAN: Motorola Japan Ltd.; SPS, Technical Information Center
3-20-1 Minami-Azabu. Minato-ku, Tokyo 106-8573, Japan
81-3-3440-3569

ASIA/PACIFIC: Motorola Semiconductors H.K. Ltd.; Silicon Harbour Centre
2 Dai King Street, Tai Po Industrial Estate, Tai Po, N.T., Hong Kong
852-26668334

HOME PAGE: <http://motorola.com/semiconductors>



MOTOROLA

MMA6231Q

**For More Information On This Product,
Go to: www.freescale.com**