



5W LED PAR 16

5W LED PAR16

Approved By Customer	Designer	Checker	Approval

Date : 2007/06/28

Version : 1.0

EDISON OPTO CORPORATION

4F, No. 800, Chung-Cheng Rd,
Chung-Ho, Taipei 235, Taiwan

Tel: 886-2-8227-6996

Fax: 886-2-8227-6997

<http://www.edison-opto.com.tw>



5W LED PAR16

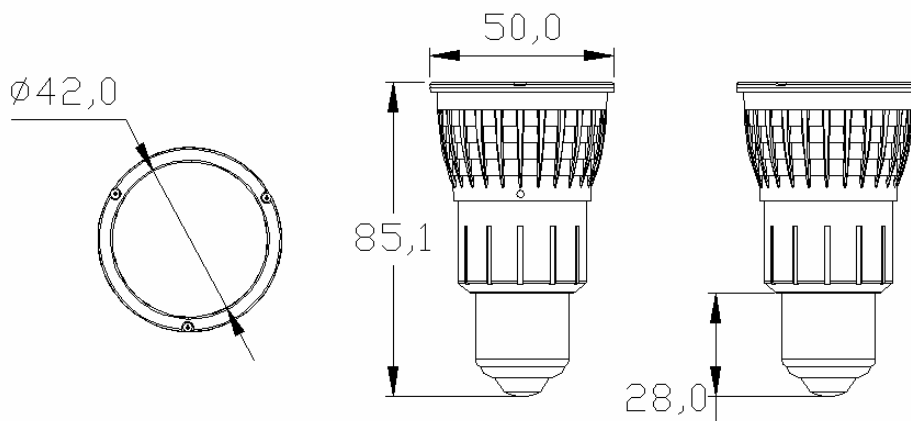


Absolute Maximum Ratings

Parameter	Symbol	Rating	Units
LED Junction Temperature	T_j	125	°C
Plastic bottom Temperature	T_c	50	°C
Operating Temperature	T_{opr}	-30 ~ +40	°C
Storage Temperature	T_{stg}	-40 ~ +60	°C
Input AC Voltage	Vac	90~240	v
Heat sink temperature	T_h	75	°C

Specification

Power consumption	Part Name	Color	Cone Beam Angle	Lux@ 1m
5W	EP16-51W1	White	10°	1500
	EP16-51X1	Warm White	10°	900
	EP16-52W1	White	38°	800
	EP16-52X1	Warm White	38°	450



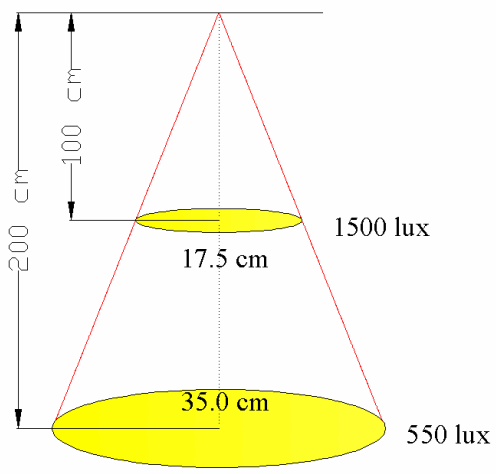
IP55

Tolerance: ± 0.1 mm

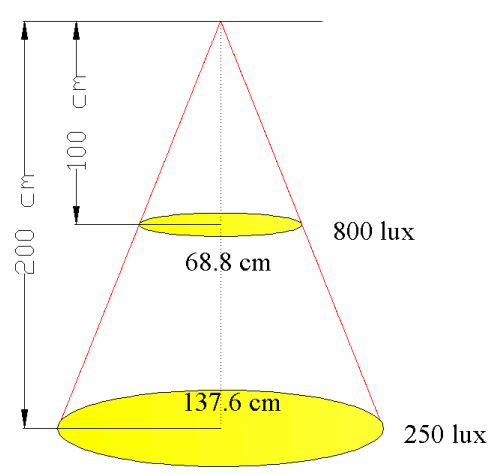
Unit: mm



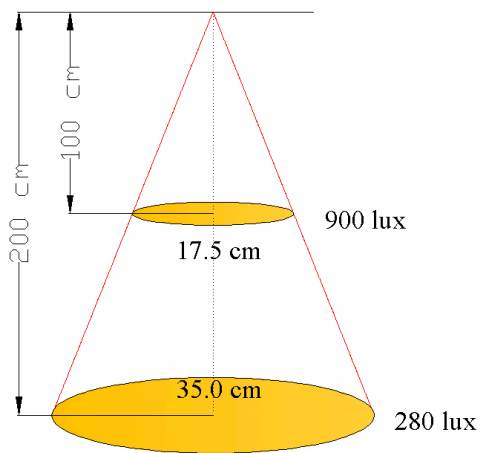
6500 K 10°



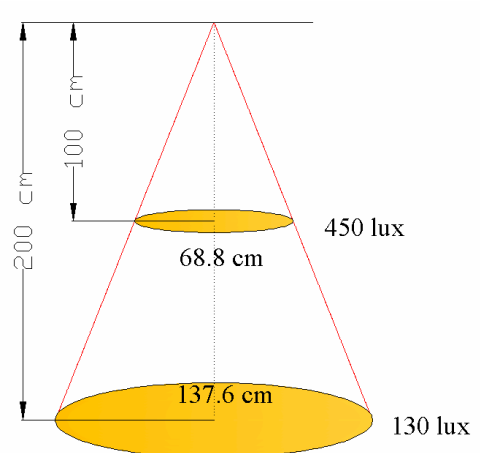
6500 K 38°



3000 K 10°



3000 K 38°



Note: 1. Input voltage range: 90~240V

2. Please do not use this product in high humidity.

3. Do not use this product with ambient temperature over 40 °C

4. This product should only be used in a well ventilated condition.

Do not install this product within an airtight lighting fixture.

5. Do not disassemble this product under no circumstances.

6. Indoor use only.

