

Light-emitting diode



Specification For Approval

Customer: _____

Description: LED lamp

Part number: RL53N-UY543/W60

Date: _____

Approved By:

Prepared By:

Approval	Check	Design	Sales
		Linda Zhan	

Light-emitting diode



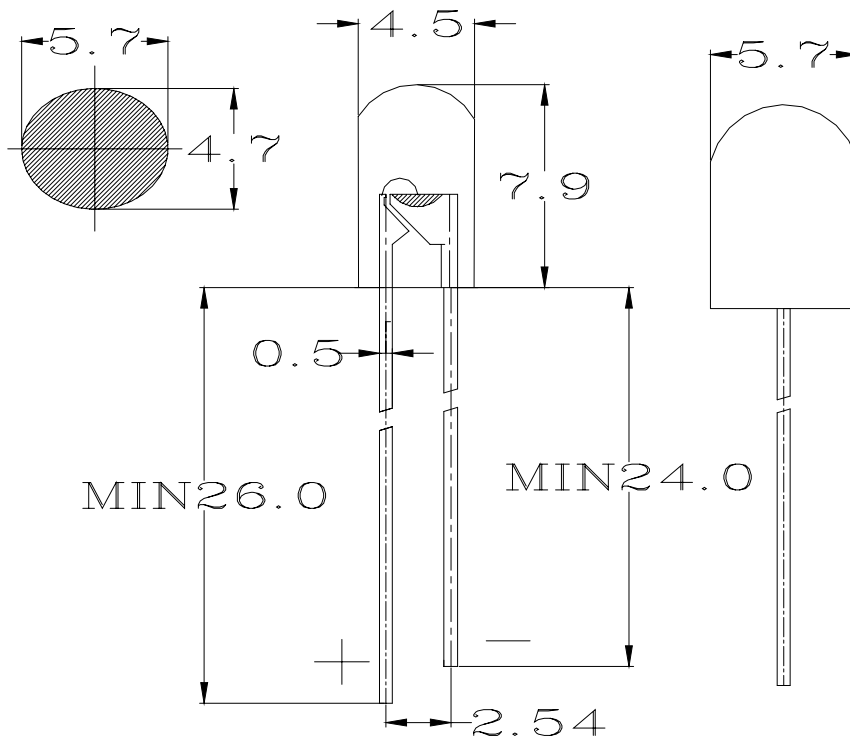
PartNumber: RL53N-UY543/W60

Features

- 1.Low power consumption .
- 2.High efficiency.
- 3.Versatile mounting on p.c board or panel.
- 4.I.C compatible/ low current requirement.

Package Dimensions

Unit □ mm



NOTE: TOLERANCE ± 0.2 mm

Selection Guide

Part Number	Lens color	Chip		
		Material	Emitted color	λ_p (nm)
RL53N-UY543 /W60	Water Clear	ALGaInP	Ultra Yellow	590

Light-emitting diode



TECHNICAL SPECIFICATION

Part Number: RL53N-UY543/W60

Parameter	Symbol	MIN.	TYP.	MAX.	UNIT	TEST CONDITION
Forward Voltage	V _F	1.7	2.0	2.8	V	I _f =20mA
Peak Wavelength	λ _p	585	590	595	nm	
Reverse Current	I _R			40	μA	V _R =5V
Power dissipation	P _d		85		mW	
Luminous Intensity	I _V	2000	3000		mcd	I _f =20mA
Peak Forward Current	I _f (Peak)			100	mA	
Recommend Forward Current	I _f (Rec)		20		mA	
Full Viewing Angle	2θ _{1/2}		60		deg	I _f =20mA

NOTE:

1.Luminous intensity is measured with a light sensor and filter combination that approximates the CIE eye-response curve Tester: EG&G DR-2550.

2.IV classification code is marked on each packing bag. The IV base on line-on's bin classification. The IV guarantee should be add±15%

3.Absolute maximum ratings: (T_a=25℃)

4.Operating temperature : -40℃ TO 80℃

5.Lead soldering: 260℃ for 5 seconds