

**EXCEED**

Light-emitting diode



---

## Specification For Approval

**Customer:** \_\_\_\_\_

**Description:** LED lamp

**Part number:** RL517-UR243

**Date:** 2004/11/03

**Approved By:**

**Prepared By:**

Approval	Check	Design	Sales	
	Linda Zhan			

# EXCEED

## Light-emitting diode



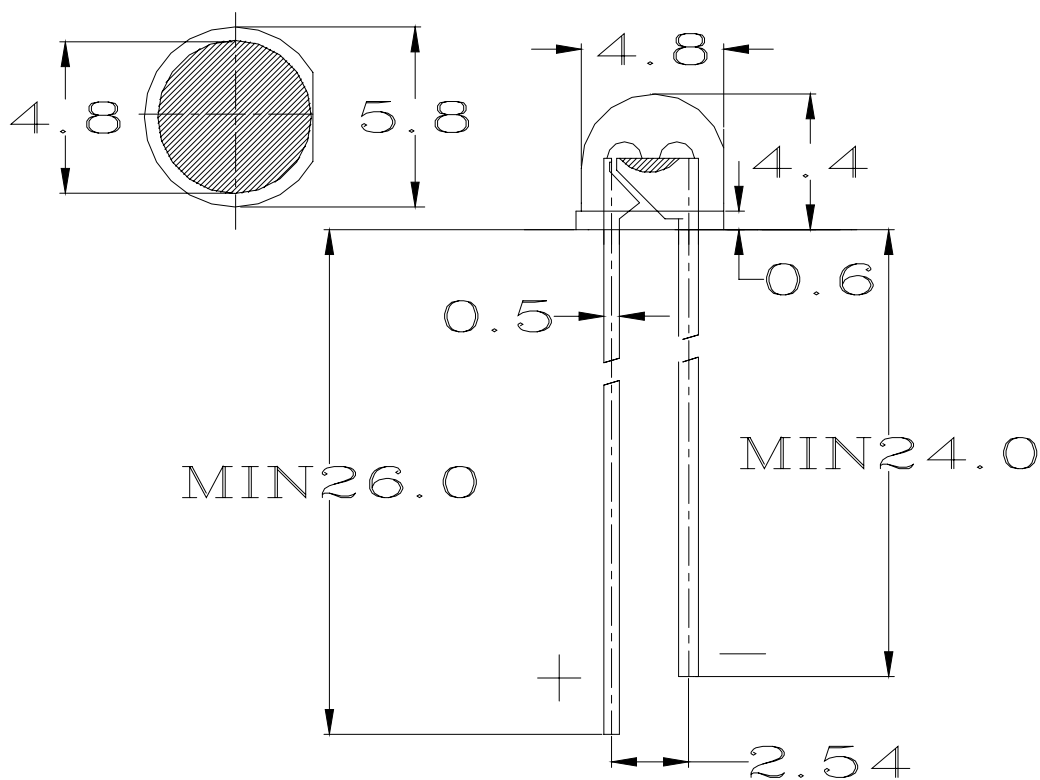
**PartNumber: RL517-UR243**

### Features

- 1.Low power consumption .
- 2.High efficiency.
- 3.Versatile mounting on p.c board or panel.
- 4.I.C compatible/ low current requirement.

### Package Dimensions

Unit □mm



NOTE: TOLERANCE ± 0.2mm

Part Number	Lens color	Chip		
		Material	Emitted color	λp(nm)
RL517-UR243	Water Clear	ALGaInP	Ultra Red	625

EXCEED PERSEVERANCE ELECTRONICS IND CO., LTD.

# EXCEED

# Light-emitting diode



## TECHNICAL SPECIFICATION

Part Number: RL517-UR243

Parameter	Symbol	MIN.	TYP.	MAX.	UNIT	TEST CONDITION
Forward Voltage	VF	1.8	2.1	2.4	V	If=20mA
Peak Wavelength	$\lambda_p$	620	625	630	nm	
Reverse Current	IR			40	$\mu$ A	VR=5V
Power dissipation	Pd		85		mW	
Luminous Intensity	IV	100	200		mcd	If=20mA
Peak Forward Current	If (Peak)			100	mA	
Recommend Forward Current	If (Rec)				mA	

### NOTE:

1.Luminous intensity is measured with a light sensor and filter combination that approximates the CIE eye-response curve Tester: EG&G DR-2550.

2.IV classification code is marked on each packing bag. The IV base on line-on's bin classification. The IV guarantee should be add $\pm 15\%$

3.Absolute maximum ratings: (Ta=25 $\square$ )

4.Operating temperature : -40 $\square$  TO 80 $\square$

5.Lead soldering: 260 $\square$  for 5 seconds