

EXCEED

Light-emitting diode



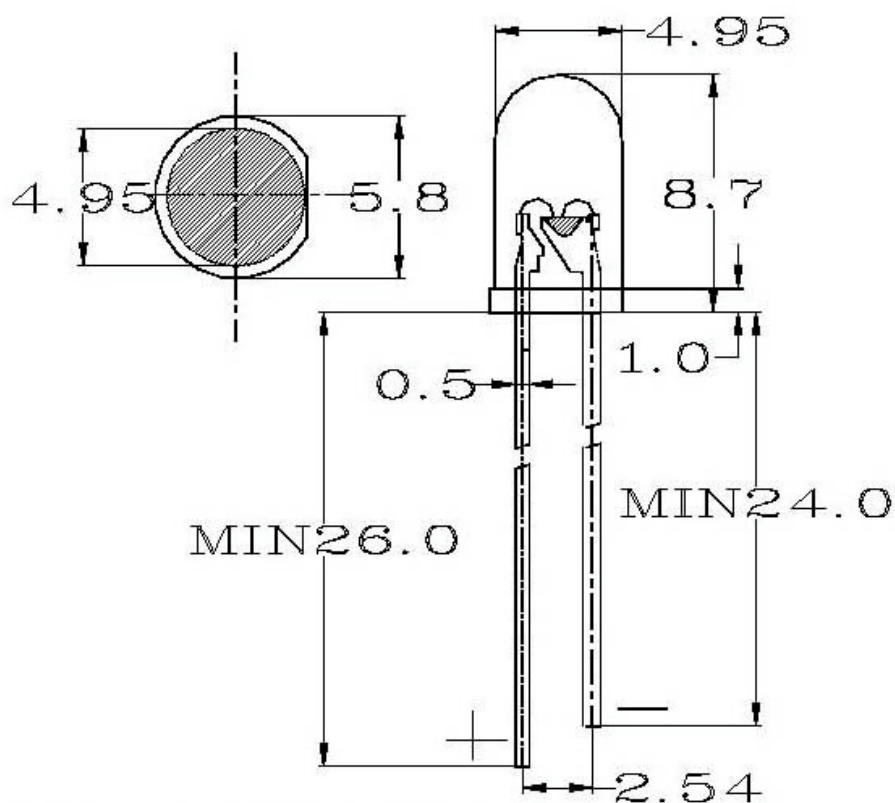
PartNumber: RL50-WH734D

Features

- 1.Low power consumption .
- 2.High efficiency.
- 3.Versatile mounting on p.c board or panel.
- 4.I.C compatible/ low current requirement.

Package Dimensions

Unit □mm



Selection

NOTE: TOLERANCE ± 0.2 mm

| Part Number | Lens color | Chip | | |
|-------------|------------|-----------|---------------|------------------|
| | | Material | Emitted color | λ_p (nm) |
| RL50-WH734D | Diffuse | InGaN/GaN | WHITE | / |

EXCEED PERSEVERANCE ELECTRONICS IND CO., LTD.

EXCEED

Light-emitting diode



TECHNICAL SPECIFICATION

Part Number: RL50-WH734D

| Parameter | Symbol | MIN. | TYP. | MAX. | UNIT | TEST CONDITION |
|---------------------------|-------------|------|------|------|---------|----------------|
| Forward Voltage | VF | 3.0 | 3.4 | 3.8 | V | If=20mA |
| Peak Wavelength | λ_p | | / | | nm | |
| Reverse Current | IR | | | 100 | μ A | VR=5V |
| Power dissipation | Pd | | 170 | | mW | |
| Luminous Intensity | IV | 3000 | 4000 | | mcd | If=20mA |
| Peak Forward Current | If(Peak) | | | 100 | mA | |
| Recommend Forward Current | If(Rec) | | 20 | | mA | |

NOTE:

1.Luminous intensity is measured with a light sensor and filter combination that approximates the CIE eye-response curve Tester: EG&G DR-2550.

2.IV classification code is marked on each packing bag. The IV base on line-on's bin classification. The IV guarantee should be add $\pm 15\%$

3.Absolute maximum ratings: (Ta=25 \square)

4.Operating temperature : -40 \square TO 80 \square

5.Lead soldering: 260 \square for 5 seconds