



**EXCEED PERSEVERANCE ELECTRONIC INDUSTRY CO., LTD.**

**深圳市超毅光电子有限公司**

**Φ 4.8mm 2PCS PIGGY BACK CIRCUIT BOARD INDICATORS.**

**Part Number:**

RL33N-RD3YG314S/H94  
RL33N-HY2YG314S/H94

RL33N-HO3YG414S/H94  
RL33N-SR1YG414S/H94

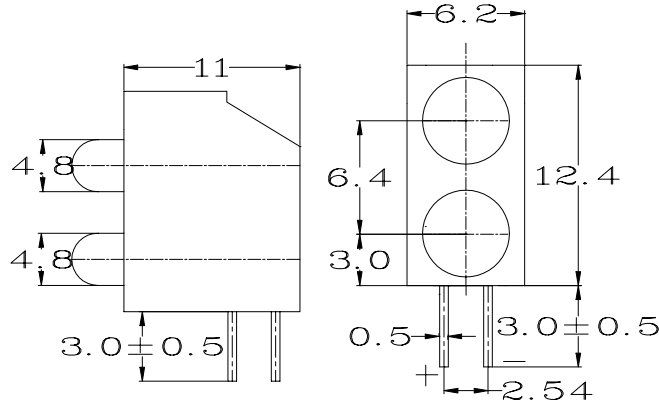
**Features**

- 1.LOW POWER CONSUMPTION.
- 2.RELIABLE AND RUGGED.
- 3.EXCELLENT UNIFORMITY OF LIGHT OUTPUT.
- 4.SUITABLE FOR LEVEL INDICATOR.
- 5.I.C COMPATIBLE.
- 6.LONG LIFE-SOLIDSTATE RELIABILTY.

**Notes:**

- 1.All dimensions are in millimeters (inches)
- 2.Tolerance is  $\pm 0.25(0.01'' )$  unless otherwise niter
- 3.Lead spacing is measured where the lead emerge package
- 4.Specifications are subject to change without notice

**Package Dimensions**



**Selection Guide**

Part NO.	Lens Type	Chip			
		Material	IV (mcd)		Viewing Angle
			@10mA	*20mA	
Min.	Typ.	2 θ 1/2			
RL33N-RD3YG314S/H94	Bright Red Diffused	GaP/GaP	1.8	3.0	/
	Yellow Green Diffused	GaP/GaP	18	32	/
RL33N-HO3YG414S/H94	Orange Red Diffused	GaAsP/GaP	25	45	/
	Yellow Green Diffused	GaP/GaP	22	35	/
RL33N-HY2YG414S/H94	Yellow Diffused	GaAsP/GaP	14	25	/
	Yellow Green Diffused	GaP/GaP	18	32	/
RL33N-SR1YG414S/H94	Super Red Diffused	GaAlAs/GaAs	38	62	/
	Yellow Green Diffused	GaP/GaP	26	44	/

1. θ 1/2 is the angle from optical centerline where the luminous intensity is 1/2the optical centerline value.
2. \*Luminous intensity with measured at 20mA.



**EXCEED PERSEVERANCE ELECTRONIC INDUSTRY CO., LTD.**

深圳市超毅光电子有限公司

**Electrical/Optical characteristics at TA=25°C.**

Symbol	Parameter	Device	Type.	Max.	Units	Test Conditions
$\lambda_{peak}$	Peak Wavelength	Bright Red Orange Red Yellow Yellow Green Super Red	700 630 585 570 660		nm	IF=20mA
$\lambda_D$	Dominate Wavelength	Bright Red Orange Red Yellow Yellow Green Super Red	690 610 580 560 640		nm	IF=20mA
$\Delta \lambda_{1/2}$	Spectral Line Halfwit	Bright Red Orange Red Yellow Yellow Green Super Red	45 45 35 30 20		nm	IF=20mA
C	Capacitance	Bright Red Orange Red Yellow Yellow Green Super Red	40 15 20 15 45		pF	VF=0V; f=1MHZ
VF	Forward Voltage	Bright Red Orange Red Yellow Yellow Green Super Red	2.1 2.0 2.0 2.1 1.8	2.8 2.4 2.8 2.8 2.8 2.8	V	IF=20mA
IR	Reverse Current	All		10	uA	VR=5V

**Absolute Maximum Ratings at TA=25°C.**

Parameter	Bright Red	Orange Red	Yellow	Super Red	Yellow Green	Units
Power dissipation	45	100	85	110	100	mW
DC Forward Current	25	25	25	25	25	mA
Peak Forward Current	50	160	160	200	160	mA
Reverse Voltage	5	5	5	5	5	V

**NOTES:**

1. Operating temperature: 40°C. TO 80°C.
2. Lead soldering: 260°C for 5 seconds.