



5W LED MR16

5W LED MR16

Designer	Checker	Approval

Date : 2007/07/31

Version : 1.0

EDISON OPTO CORPORATION

4F, No. 800, Chung-Cheng Rd,

Chung-Ho, Taipei 235, Taiwan

Tel: 886-2-8227-6996

Fax: 886-2-8227-6997

<http://www.edison-opto.com.tw>



5W LED MR16

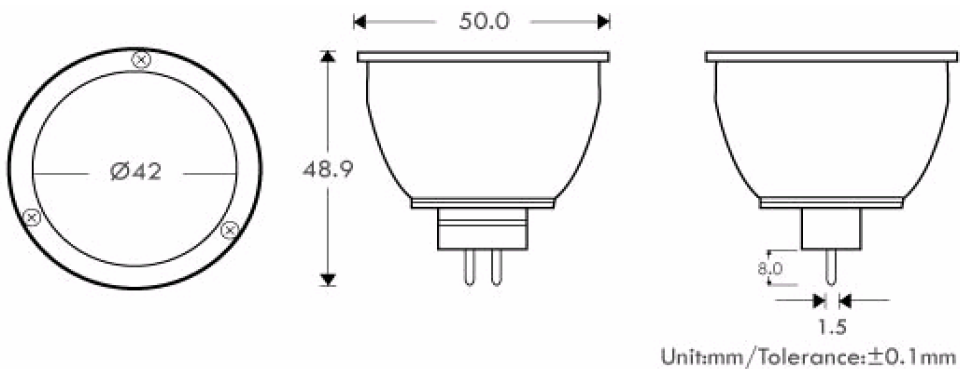


Absolute Maximum Ratings

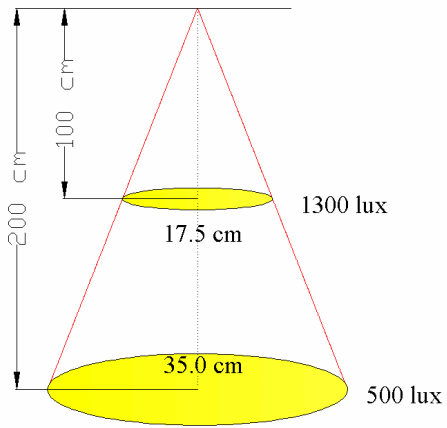
Parameter	Symbol	Rating	Units
LED Junction Temperature	T_j	125	°C
Plastic Housing Temperature	T_c	85	°C
Operating Temperature	T_{opr}	-30 ~ +40	°C
Storage Temperature	T_{stg}	-40 ~ +60	°C
Input Voltage root-mean-square	V_{rms}	10~15	v
Heat Sink Temperature	T_h	85	°C

Specification

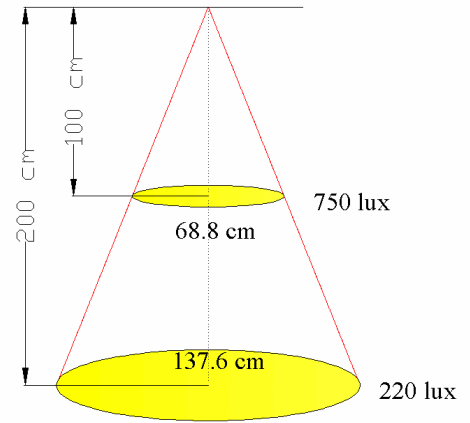
Power consumption	Part Name	Color	Cone Beam Angle	Lux@ 1m
5W	EL16-51W3	White	10°	1300
	EL16-51X3	Warm White	10°	900
	EL16-52W3	White	38°	750
	EL16-52X3	Warm White	38°	450



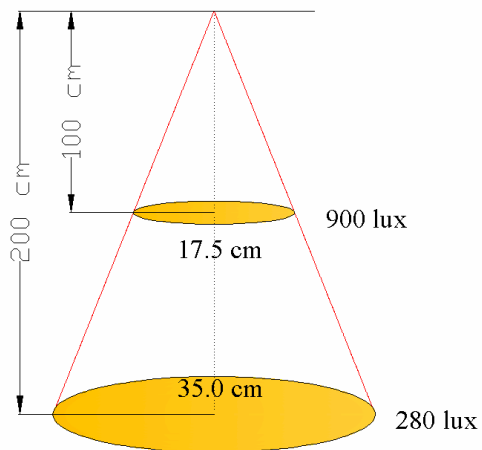
6500 K 10°



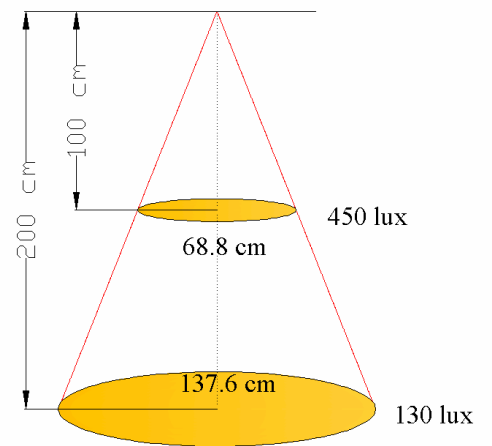
6500 K 38°



3000 K 10°



3000 K 38°



Tolerance: +/- 50 lux





Dimensions:55(width)x60(length)x65(height) mm
Weight: 83g



Dimensions:120(width)x330(length)x72(height) mm
Weight: 940g



Note:

- 1. Do not connect more than one LED MR16 to a transformer.**
- 2. Make sure the transformer's output voltage-Vrms do not exceed 15V as this will damage the LED MR16 built-in circuitry.**
- 3. Do not use this product with ambient temperature over 40 °C.**
- 4. This product should only be used in a well ventilated condition. Do not install this product within an airtight lighting fixture.**
- 5. Some electronic transformers may cause flickering phenomenon due to insufficient electronic power supply.**
- 6. Indoor use only**

