

LED MR16 Series



The unique **MR16 LED Bulbs from GlacialTech** use high luminescence LED's at a very economical **3 Watts** power consumption. The **MR16 LED GlacialLight** can replace traditional MR16 halogen lamps that are found in homes and offices today. The durability is exceptional with a long lifetime (min. 35,000 hrs) and high luminous efficacy and reduces environmental pollution. The bulb can use the standard GU5.3 socket to conveniently replace traditional light sources. The MR16 LED light is able to use 12V AC/DC. The **MR16 LED GlacialLight** Bulbs can be used for indoors extensively, including for ornamental decoration, shop window lighting and spotlighting.

GlacialTech 的 MR16 系列使用高亮度 LED，其中包含 3W 之系列產品可取代傳統鹵素燈，並具備比傳統燈泡更優良的特性如：使用壽命長(高於 35,000 小時)、高發光效能並具備環保節能特性，燈座可安裝於 GU5.3 之傳統標準規格並適用於 12V AC/DC 電壓，主要使用於室內裝潢燈、櫥窗展示燈與投光燈。

➤ Feature 特性

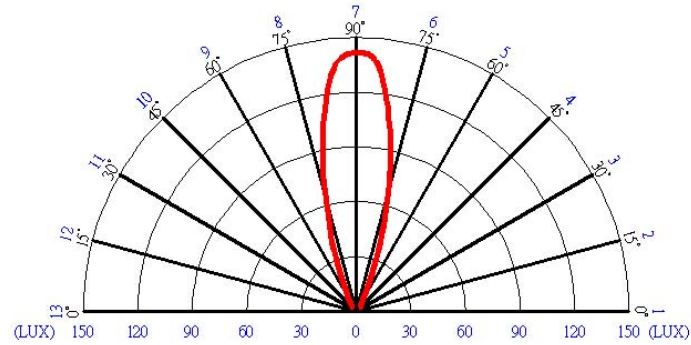
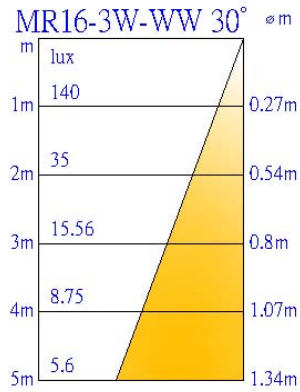
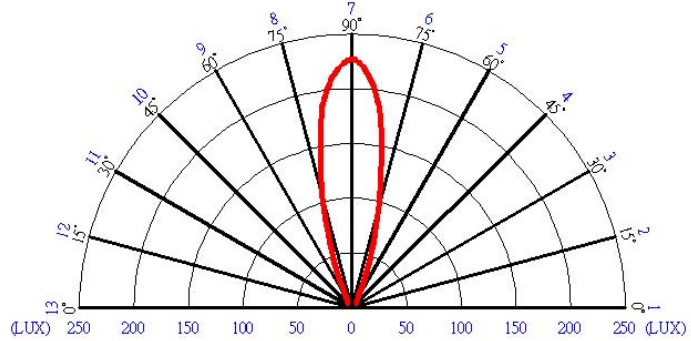
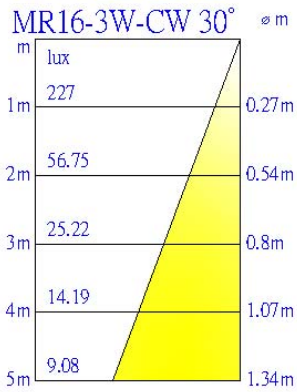
- For indoor use only 室內照明專用
- Direct replacement for any halogen MR16 bulb 可相容於傳統 MR16 鹵素燈
- Compatible with electronic transformers without LED driver 相容於電子變壓器無需 LED driver
- Power conversion efficiency > 80% 電源轉換器效率 > 80%
- High luminous efficacy LED 高發光效能 LED
- NO UV or IR radiation 無紫外線與紅外線傷害
- Compliance with safety standards: EN60968, EN61347-1 + EN61347-2-13, EN55015, EN60825-1, FCC Part 18
 遵循歐盟安規及北美 FCC 標準： EN60968、EN61347-1+EN61347-2-13、EN55015、EN60825-1、FCC Part 18
- Cool light prevents heat buildup and associated heat degeneration 低溫光可減少環境溫度的上昇
- Energy saving and environment friendly 具環保節能效益



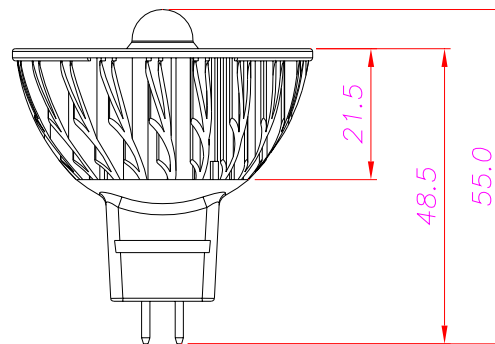
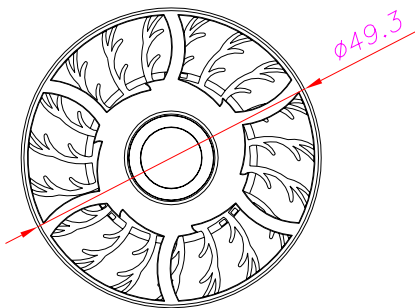
➤ Specification 產品規格

Part No. 料號	9E-MR03B	9E-MR03A
CCT (Typical) 色溫	3000 K	6000 K
Typical Power Consumption 消耗瓦數	3 W	
Luminous Flux (lm) 光通量 (流明)	70 lm	100 lm
Input Voltage 輸入電壓	12V AC/DC	
Socket Base 適用燈座型號	GU5.3	
Operation Temp. Range 操作溫度	-20°C ~ +40°C	
Typical Luminous Efficacy 發光效能(流明/瓦)	24 lm/W	34 lm/W
CRI 演色性	> 80	> 75
Beam Angle 光束角	30°/60°(option)	
Warranty 保固期	2 Years	
Application 應用	Shop Window Lighting/ Cabinet Lighting/ Commercial Lighting/ Meeting room/ Indoor ornament / Spot Lighting/ Hallway Lighting 櫥窗燈/ 展示燈/ 室內裝潢/ 玄關走廊/ 商業空間/ 會議室/ 投光燈	
Outline Dim. 外觀尺寸(公厘)	ø49.3*48.5 (mm)	
Net. Weight Outline Dim. 淨重(公斤)	0.047 (Kgs)	
Package 包裝方式	100 Boxes/ 10 Packs/ Carton	
Box Dimension/ Weight 盒裝尺寸(公厘)/ 重量(公斤)	L= 552*282*155 (mm) / 6.5 (Kgs)	

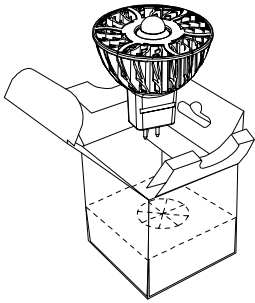
➤ **Candle Power Distribution Curve (1 M) 配光曲線圖**



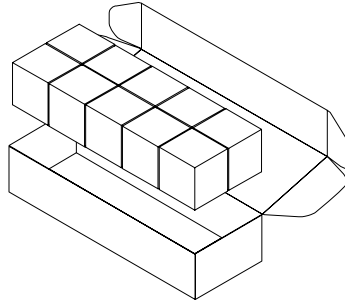
➤ **Dimensions 尺寸**



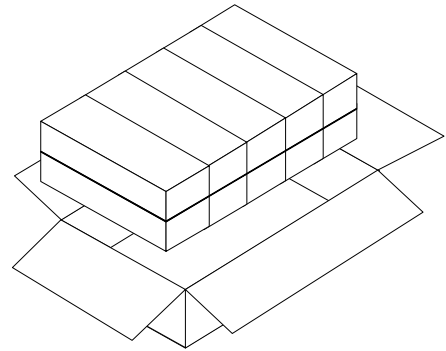
➤ **Package 包裝方式**



Dimensions: 52*52*58(H) mm



10 Pcs / Box
Dimensions: 271*110*66(H) mm



100 Pcs / Carton
Dimensions: 582*282*155(H) mm

➤ **Energy Saving & CO₂ Reduction Comparison Table 節能減碳比較表**

Item 項目	GL-MR16-3CW (6000 K)	Halogen Bulbs
Life Time 壽命(小時)	35,000 hrs	3,000 hrs
Typical Power Consumption 消耗瓦數(=A)	3 W	20 W
Typical Power Consumption per year 每年消耗瓦數(12hrx365day/kwh)*A=B	13.14 kW	88 kW
CO ₂ Quantity (Kgs/year) 每年 CO ₂ 排放量 (公斤) (0.637*B=D)	10 Kgs	56 Kgs
Energy Saving Rate 與鹵素燈泡相比之省電率 (Compare with Halogen Bulbs)	82%	



CO₂ calculation reference IPCC guide=0.637 CO₂/kwh (Taiwan)