

Installation Instructions for the HIH-3610 Humidity Sensor

ISSUE 1
PK 80145

⚠ WARNING

PERSONAL INJURY

- DO NOT USE these products as safety or emergency stop devices or in any other application where failure of the product could result in personal injury.

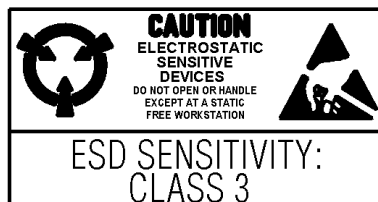
Failure to comply with these instructions could result in death or serious injury.

CAUTION

IMPROPER HANDLING

- Do not remove the sensors from their original protective packaging until they are ready to be installed.
- Do not touch the sensor surface. Use latex finger cots. Handle sensor by package edges or leads.
- Do not allow objects to enter the cavity of the sensor element.

Failure to comply with these instructions may result in product damage.



RECOMMENDED PCB MOUNTING

Catalog Listing	Mill-Max Socket Number
HIH-3610-001 HIH-3610-003	310-93-132-41-001 or similar
HIH-3610-002 HIH-3610-004	851-93-032-10-001 or similar

SOLDERING/ASSEMBLY

CAUTION

IMPROPER CLEANING

- Insert and solder the sensor after the PCB cleaning process.
- Clean sensor with isopropyl alcohol after soldering.

Failure to comply with these instructions may result in product damage.

Hand soldering is recommended; however, if wave soldering is required, use a no-clean flux. Limit the contact of the flux to the leads only. Recommended PC board wave soldering temperature is 250 °C to 260 °C (482 °F to 500 °F).

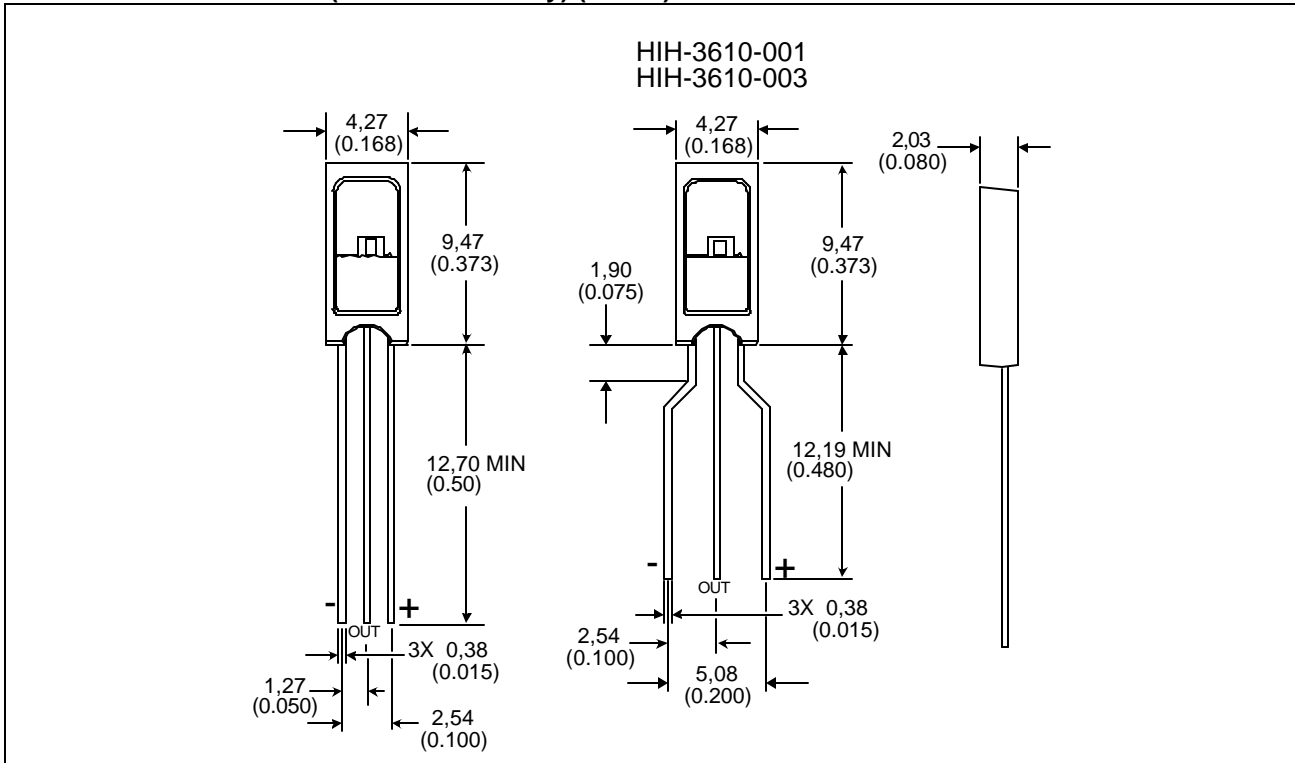
MOISTURE SEALING THE LEADS

If, in the presence of intermittent moisture or other contaminants, there is the possibility of galvanic paths between the leads, moisture seal the leads.

NOTICE

Shade sensor from direct light. Intense direct light can flood junctions in the CMOS (Complementary Metal Oxide Semiconductor) device and drive the output signal to the minimum. This does not harm the sensor or affect calibration. Proper operation resumes shortly after the direct light is removed. Ambient scattered light normally does not affect performance.

MOUNTING DIMENSIONS (for reference only) (mm/in)



WARRANTY/REMEDY

Honeywell warrants goods of its manufacture as being free of defective materials and faulty workmanship. Contact your local sales office for warranty information. If warranted goods are returned to Honeywell during the period of coverage, Honeywell will repair or replace without charge those items it finds defective. The foregoing is Buyer's sole remedy and is **in lieu of all other warranties, expressed or implied, including those of merchantability and fitness for a particular purpose.**

Specifications may change without notice. The information we supply is believed to be accurate and reliable as of this printing. However, we assume no responsibility for its use.

While we provide application assistance personally, through our literature and the Honeywell web site, it is up to the customer to determine the suitability of the product in the application.

For application assistance, current specifications, or name of the nearest Authorized Distributor, check the Honeywell web site or call:

1-800-537-6945 USA
1-800-737-3360 Canada
1-815-235-6847 International

FAX

1-815-235-6545 USA

INTERNET

www.honeywell.com/sensing
info.sc@honeywell.com



Sensing and Control
Honeywell
11 West Spring Street
Freeport, Illinois 61032

www.honeywell.com/sensing