

CLOCK OSCILLATORS

TTL / HCMOS, TRISTATE

Combine state-of-the-art, thick film hybrid technology with precision quartz oscillators to achieve unsurpassed qualities of small size, cost, high reliability and frequency accuracy.

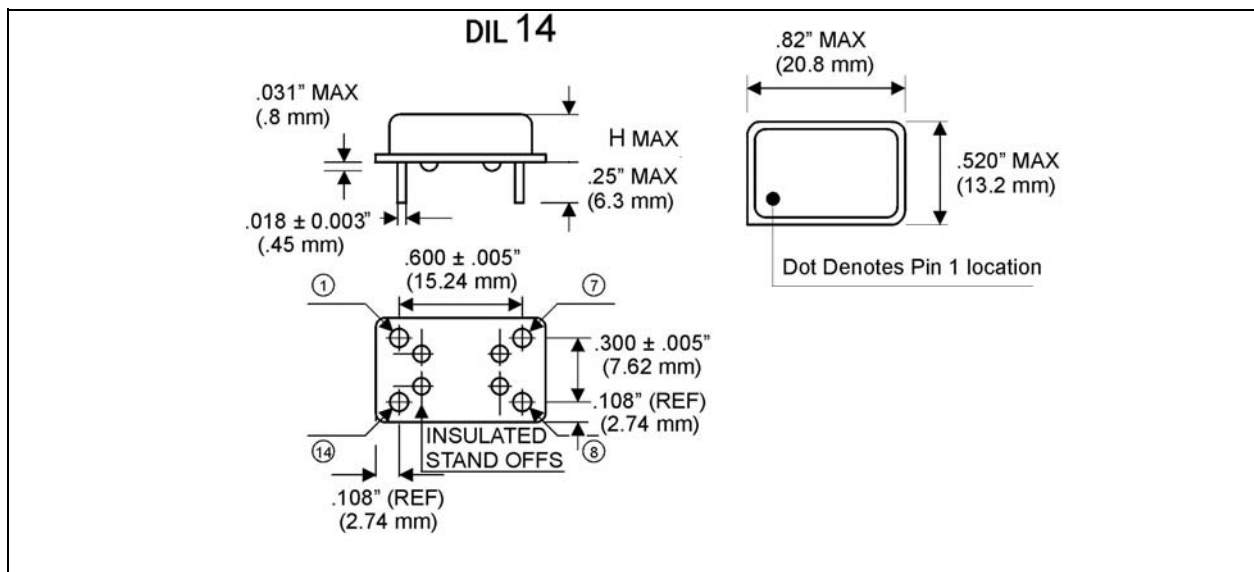
The crystal clock oscillator is composed of a crystal resonator and an oscillator circuit which is made by the hybrid IC technique. So, the oscillator itself is the perfect stable oscillator. This technique and process are entirely IC's one, so you can expect high reliability on it.

Standard Specifications

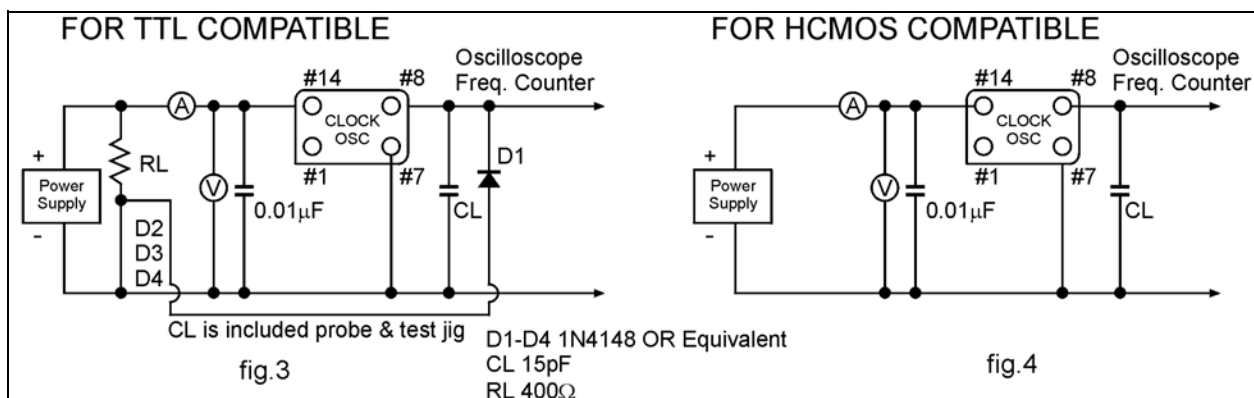
item	Tri-State										
model	KXO-400										
package	DIL 14										
frequency range	0,5 ~ 100 MHz										
frequency stability	standard ± 100 ppm available ± 25 ppm $\sim \pm 100$ ppm										
storage temperature range	-55 °C ~ +125 °C										
operating temperature range	standard -20 °C ~ + 70 °C available -40 °C ~ + 85 °C (=KXO-405)										
symmetry	standard 60/40% (+1/2V _{DD}) available 55/45%										
rise and fall time max.	10 ns 0.5 ~ 25 MHz 6 ns 25.1 ~ 70 MHz 4 ns 70.1 ~ 100 MHz										
"0" level (max.)	+0.5V (10%V _{DD})										
"1" level (min.)	+4.5V (90%V _{DD})										
input voltage	+5.0VDC $\pm 10\%$										
input current max.	20mA 0.5 ~ 20MHz 40mA 20.1 ~ 70MHz 60mA 70.1 ~ 100MHz										
output load	1 - 8TTL or CL = 50pF (TYP)										
logic family	TTL or HCMOS compatible										
test circuit	fig. 3, 4										
pin connection	<table border="1"> <thead> <tr> <th>PIN</th> <th>CONNECTION</th> </tr> </thead> <tbody> <tr> <td>#1 (#1)</td> <td>„L“(OV) „H“(+5V) or OPEN</td> </tr> <tr> <td>#7 (#4)</td> <td>GND</td> </tr> <tr> <td>#8 (#5)</td> <td>Z OUTPUT</td> </tr> <tr> <td>#14 (#8)</td> <td>Vcc</td> </tr> </tbody> </table>	PIN	CONNECTION	#1 (#1)	„L“(OV) „H“(+5V) or OPEN	#7 (#4)	GND	#8 (#5)	Z OUTPUT	#14 (#8)	Vcc
PIN	CONNECTION										
#1 (#1)	„L“(OV) „H“(+5V) or OPEN										
#7 (#4)	GND										
#8 (#5)	Z OUTPUT										
#14 (#8)	Vcc										
lead-free	started from date code May, 2005										
packing unit	25 pcs.										
order no.	12.90000-12.90449										

Z: high impedance **Enable/Disable Phase Delay Time 100 ns max.**

Dimensions



Test Circuit



Output Wave Shape

