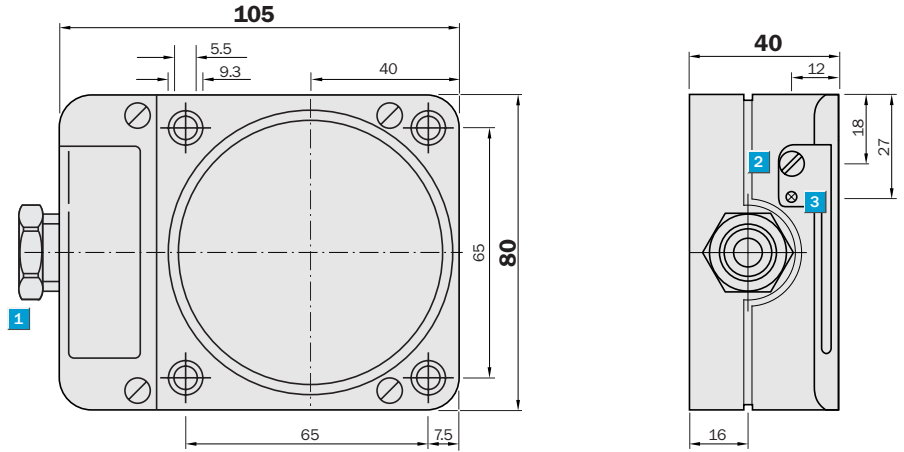


Sensing range
60 mm

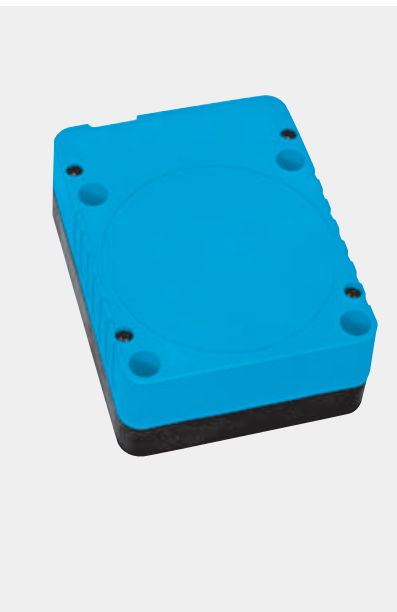
Inductive sensor

- Adjustable switching distance between 20 to 60 mm
- Programmable NO/NC function
- Short-circuit protection (pulsed)
- Terminal connection
- Enclosure rating IP 65

Dimensional drawing

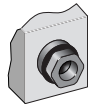


- 1 Connection
- 2 Potentiometer
- 3 Display LED

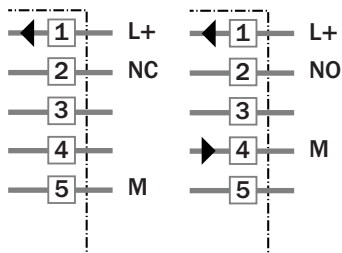


Connection type

IQ80-60NPP-KKO



Terminal M20 x 1.5



Technical data		IQ80-	60NPP-KKO										
Sensing range S_n	60 mm												
Electrical configuration	DC 3-wire												
Supply voltage V_s	DC 10 ... 36 V												
Voltage drop V_d	$\leq 2.5 V^{1)}$												
Current consumption	$\leq 15 mA^{2)}$												
Continuous current I_a	$\leq 250 mA$												
Time delay before availability t_v	$\leq 250 ms$												
Hysteresis H (of s_r)	1 ... 15 %												
Repeatability R	$\leq 10 \% (U_b \text{ and } T_a \text{ constant})^{3)}$												
Temperature drift, of s_r	$\pm 10 \%$												
EMC	According to EN 60 947-5-2												
Switching output	PNP												
Output function	Programmable												
Connection types	Cable gland, terminal M20 x 1.5												
Enclosure rating	IP 65 ⁴⁾												
VDE protection class	<input type="checkbox"/>												
Max. switching frequency	4 Hz												
Dimensions	80 x 40 x 105 mm ⁵⁾												
Wire-break protection	-												
Short-circuit protection	✓ ⁶⁾												
Reverse polarity protection	✓												
Power-up pulse suppression	✓												
Shock / vibration stress	30 g, 11 ms / 10 ... 55 Hz, 1 mm												
Ambient temperature T_a	-25 °C ... +80 °C												
Housing material	Plastic												

¹⁾ at I_a max and U_b 24 V
²⁾ without load

³⁾ of s_r
⁴⁾ according to EN 60 529

⁵⁾ width x height x depth
⁶⁾ (pulsed)

Order information	
Type	Order no.
IQ80-60NPP-KKO	7 900 227