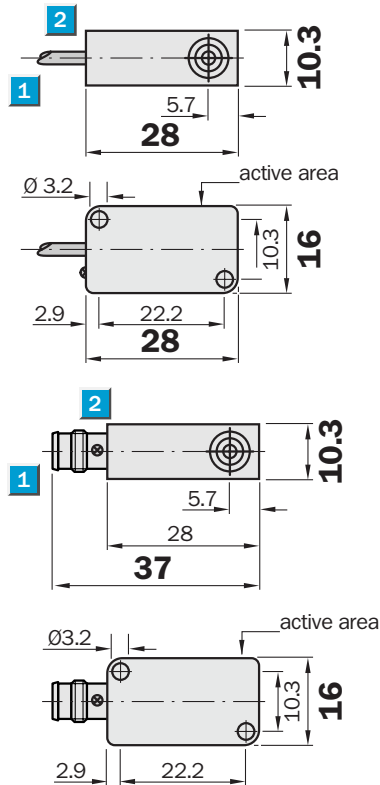


Sensing range
3 / 6 mm

Inductive sensor

- Can be installed flush or non-flush in metal
- High switching frequency
- Short-circuit protection (pulsed)
- Plastic housing
- Enclosure rating IP 67

Dimensional drawing

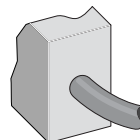
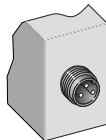


- 1 Connection
- 2 Display LED



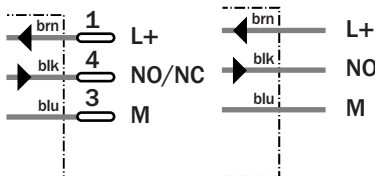
Connection type

IQ10-03BPS-KT1	IQ10-03BPS-KW1
IQ10-03BNS-KT1	IQ10-03BNS-KW1
IQ10-03BPO-KT1	IQ10-06NPS-KW1
IQ10-06NNS-KT1	IQ10-06NNS-KW1
IQ10-06NPS-KT1	



M8, 3-pin

3 x 0.25 mm²



See Accessories chapter

Connector, M8, 3-pin

Technical specifications		IQ10-	03BPS -KW1	03BNS -KW1	03BPS -KT1	03BNS -KT1	03BPO -KT1	06NPS -KW1	06NNS -KW1	06NNS -KT1	06NPS -KT1
Sensing range S_n	3 mm										
	6 mm										
Electrical configuration	DC 3-wire										
Supply voltage V_s	DC 10 ... 30 V										
Ripple U _{pp}	≤ 10 % ¹⁾										
Voltage drop U _d	≤ 1.5 V ²⁾										
Power consumption	≤ 5 mA ³⁾										
Continuous current I_a	≤ 300 mA										
Time delay before availability t _v	≤ 10 ms										
Hysteresis H, of s _r	1 ... 15 %										
Repeatability R	≤ 1 % (U _b and T _a constant) ⁴⁾										
Temperature drift, of s _r	± 10 %										
EMC	according to EN 60947-5-2										
Switching output	PNP										
	NPN										
Output function	Normally open										
	Normally closed										
Installation	Flush										
	Non-flush										
Connection type	Cable, PVC, 2 m										
	Connector, M8, 3-pin										
Enclosure rating	IP 67 ⁵⁾										
Max. switching frequency	3,000 Hz										
	1,000 Hz										
Dimensions	10 x 16 x 28 mm ⁶⁾										
	10 x 16 x 37 mm ⁶⁾										
Wire-break protection	✓										
Short-circuit protection	✓ ⁷⁾										
Reverse polarity protection	✓										
Power-up pulse suppression	✓										
Shock/vibration stress	30 g, 11 ms/10 ... 55 Hz, 1 mm										
Ambient temperature T _a	-25 °C ... +75 °C										
Housing material	Plastic										

¹⁾ of U_b
²⁾ at I_a max

³⁾ without load
⁴⁾ of s_r

⁵⁾ according to EN 60529
⁶⁾ Width x height x depth

⁷⁾ (pulsed)

Ordering information	
Type	Part Number
IQ10-03BPS-KW1	7 900 203
IQ10-03BNS-KW1	7 900 204
IQ10-03BPS-KT1	7 900 205
IQ10-03BNS-KT1	7 900 206
IQ10-03BPO-KT1	7 901 530
IQ10-06NPS-KW1	7 900 207
IQ10-06NNS-KW1	7 900 208
IQ10-06NNS-KT1	7 900 210
IQ10-06NPS-KT1	7 900 209