

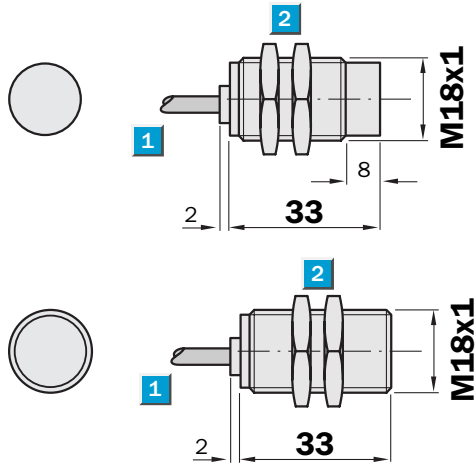
Inductive sensor, IM18, NAMUR

Sensing range
5 / 8 mm

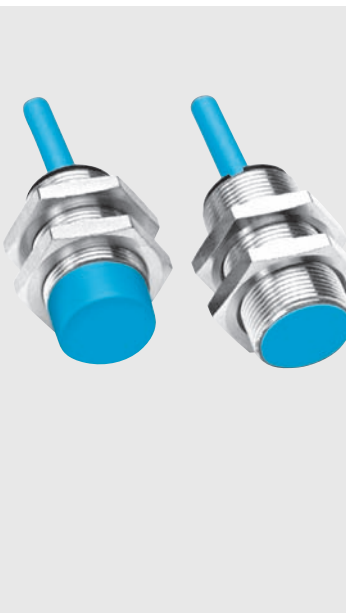
Inductive sensor

- NAMUR to EN 60 947-5-6
- High switching frequency
- Robust brass housing, nickel-plated, with fine thread M18 x 1 mm
- Enclosure rating IP 67
- Classification PTB 03 ATEX 2037
- Ex II 2 G EEx ia IIC T6

Dimensional drawing

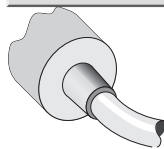


- 1 Connection
- 2 Fastening nuts (2 x); width across 24, metal

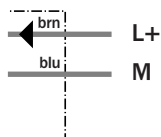


Connection type

- IM18-05B-N-ZWO
- IM18-08N-N-ZWO



2 x 0.34 mm²



See chapter Accessories

- Mounting systems
- Switching units

Technical specifications		IM18-	05B-N-ZWO	08N-N-ZWO									
Sensing range S_n	5 mm												
	8 mm												
Electrical configuration	NAMUR												
Supply voltage V_s	DC 5 ... 25 V												
Nominal voltage V_n	DC 8.2 V												
Power consumption, attenuated	≤ 1 mA												
Power consumption, unattenuated	≥ 2.2 mA												
Internal capacitance	≤ 230 nF												
	≤ 240 nF												
Internal inductance	≤ 60 μ H												
Cable resistance	≤ 50 Ohm												
Temperature drift, of s_r	± 10 %												
EMC	According to EN 60 947-5-6												
Switching output	Control current dependent on switching state ¹⁾												
Output function	NAMUR												
Installation	Flush												
	Non-flush												
Connection type	Cable, PVC, 2 m												
Enclosure rating	IP 67 ²⁾												
Max. switching frequency	720 Hz												
	300 Hz												
Dimensions	M18 x 1 ³⁾												
short-circuit protected	✓												
Reverse polarity protected	✓												
Shock/vibration stress	30 g, 11 ms/10 ... 55 Hz, 1 mm												
Ambient temperature T_a	-25 °C ... +70 °C												
Housing material	Brass nickel-plated, plastic												
Tightening torque	35 Nm												

¹⁾ according to NAMUR EN 60947-5-6

²⁾ according to EN 60529

³⁾ Thread diameter x pitch (mm)

Max. data for connecting Isolating unit EN 2 EX

or other approved isolating amplifier:

Short circuit current I_{Kmax}	50 mA
No load voltage U_0	16 V
Power loss P_{max}	75 mW

Order information

Type	Order no.
IM18-05B-N-ZWO	6 021 126
IM18-08N-N-ZWO	6 021 127