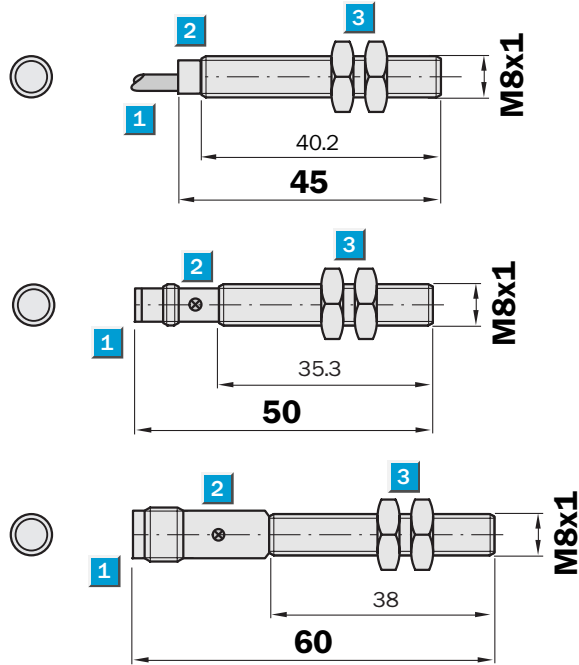


Sensing range
1.5 mm

Inductive sensor

- High switching frequency
- Short-circuit protection (pulsed)
- Robust brass housing, nickel-plated with fine thread M8 x 1 mm
- Enclosure rating IP 67

Dimensional drawing

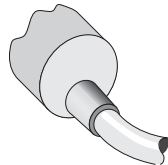


- 1 Connection
- 2 Display LED
- 3 Fastening nuts (2 x); width across 13, metal

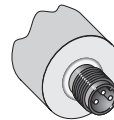


Connection type

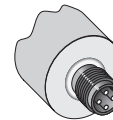
IM08-1B5N0-ZW1	IM08-1B5NS-ZT1	IM08-1B5NS-ZC1
IM08-1B5NS-ZW1	IM08-1B5PO-ZT1	IM08-1B5PS-ZC1
IM08-1B5PO-ZW1	IM08-1B5PS-ZT1	
IM08-1B5PS-ZW1		



3 x 0.14 mm²



M8, 3-pin

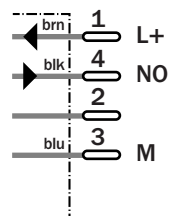
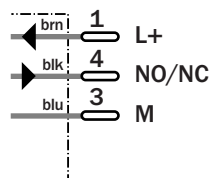


M12, 4-pin

See chapter Accessories

Connector, M12, 4-pin

Connector, M8, 3-pin



Technical specifications		IM08-	1B5NO-ZW1	1B5NS-ZW1	1B5PO-ZW1	1B5PS-ZW1	1B5NS-ZC1	1B5NS-ZT1	1B5PO-ZT1	1B5PS-ZC1	1B5PS-ZT1
Sensing range S_n	1.5 mm										
Electrical configuration	DC 3-wire										
Supply voltage V_s	DC 10 ... 30 V										
Ripple U _{pp}	≤ 10 %										
Voltage drop U _d	≤ 1.2 V ¹⁾										
Power consumption	≤ 20 mA ²⁾										
Continuous current I_a	≤ 200 mA										
Time delay before availability t _v	≤ 100 ms										
Hysteresis H, of s _r	2 ... 10 %										
Repeatability R	≤ 2 % (U _b and T _a constant) ³⁾										
Temperature drift, of s _r	± 10 %										
EMC	According to EN 60947-5-2										
Switching output	NPN										
	PNP										
Output function	Normally closed										
	Normally open										
Installation	Flush										
Connection type	Cable, PVC, 2 m										
	Connector, M12, 4-pin										
	Connector, M8, 3-pin										
Enclosure rating	IP 67 ⁴⁾										
Max. switching frequency	3,000 Hz										
Dimensions	M8 x 1 ⁵⁾										
Short-circuit protection	✓ ⁶⁾										
Reverse polarity protection	✓										
Power-up pulse suppression	✓										
Shock/vibration stress	30 g, 11 ms/10 ... 55 Hz, 1 mm										
Ambient temperature T _a	-25 °C ... +70 °C										
Housing material	Brass nickel-plated, plastic										
Tightening torque	4 Nm										

¹⁾ at I_a max
²⁾ without load

³⁾ of s_r
⁴⁾ according to EN 60529

⁵⁾ Thread diameter x pitch (mm)
⁶⁾ (pulsed)

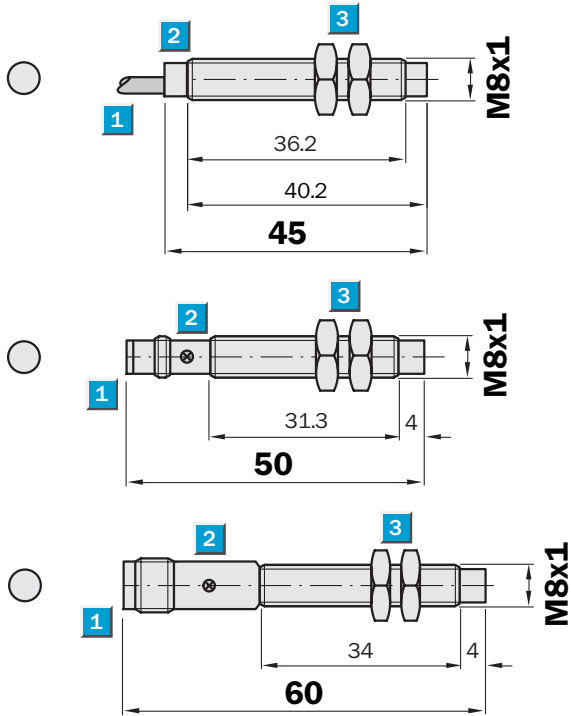
Order information	
Type	Order no.
IM08-1B5NO-ZW1	6 020 218
IM08-1B5NS-ZW1	6 020 216
IM08-1B5PO-ZW1	6 020 217
IM08-1B5PS-ZW1	6 020 215
IM08-1B5NS-ZC1	6 020 224
IM08-1B5NS-ZT1	6 020 220
IM08-1B5PO-ZT1	6 020 221
IM08-1B5PS-ZC1	6 020 223
IM08-1B5PS-ZT1	6 020 219

Sensing range
2.5 mm

Inductive sensor

- High switching frequency
- Short-circuit protection (pulsed)
- Robust brass housing, nickel-plated with fine thread M8 x 1 mm
- Enclosure rating IP 67

Dimensional drawing

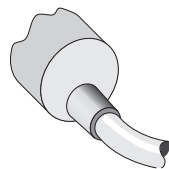


- 1 Connection
- 2 Display LED
- 3 Fastening nuts (2 x); width across 13, metal

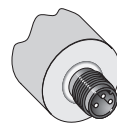
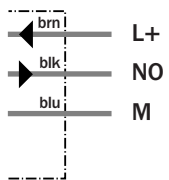


Connection type

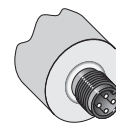
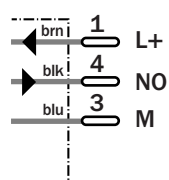
IM08-2N5NS-ZW1	IM08-2N5NS-ZT1	IM08-2N5NS-ZC1
IM08-2N5PS-ZW1	IM08-2N5PS-ZT1	IM08-2N5PS-ZC1



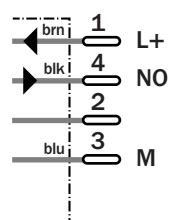
3 x 0.14 mm²



M8, 3-pin



M12, 4-pin



See chapter Accessories

Connector, M12, 4-pin

Connector, M8, 3-pin

Technical specifications		IM08-	2N5NS-ZW1	2N5PS-ZW1	2N5NS-ZC1	2N5NS-ZT1	2N5PS-ZC1	2N5PS-ZT1				
Sensing range S_n	2.5 mm											
Electrical configuration	DC 3-wire											
Supply voltage V_s	DC 10 ... 30 V											
Ripple U _{pp}	≤ 10 %											
Voltage drop U _d	≤ 1.2 V ¹⁾											
Power consumption	≤ 20 mA ²⁾											
Continuous current I_a	≤ 200 mA											
Time delay before availability t _v	≤ 100 ms											
Hysteresis H, of s _r	2 ... 10 %											
Repeatability R	≤ 2 % (U _b and T _a constant) ³⁾											
Temperature drift, of s _r	± 10 %											
EMC	According to EN 60947-5-2											
Switching output	NPN											
	PNP											
Output function	Normally open											
Installation	Non-flush											
Connection type	Cable, PVC, 2 m											
	Connector, M12, 4-pin											
	Connector, M8, 3-pin											
Enclosure rating	IP 67 ⁴⁾											
Max. switching frequency	2,500 Hz											
Dimensions	M8 x 1 ⁵⁾											
Short-circuit protection	✓ ⁶⁾											
Reverse polarity protection	✓											
Power-up pulse suppression	✓											
Shock/vibration stress	30 g, 11 ms/10 ... 55 Hz, 1 mm											
Ambient temperature T _a	-25 °C ... +70 °C											
Housing material	Brass nickel-plated, plastic											
Tightening torque	4 Nm											

¹⁾ at I_a max
²⁾ without load

³⁾ of s_r
⁴⁾ according to EN 60529

⁵⁾ Thread diameter x pitch (mm)
⁶⁾ (pulsed)

Order information	
Type	Order no.
IM08-2N5NS-ZW1	6 020 228
IM08-2N5PS-ZW1	6 020 227
IM08-2N5NS-ZC1	6 020 236
IM08-2N5NS-ZT1	6 020 232
IM08-2N5PS-ZC1	6 020 235
IM08-2N5PS-ZT1	6 020 231