

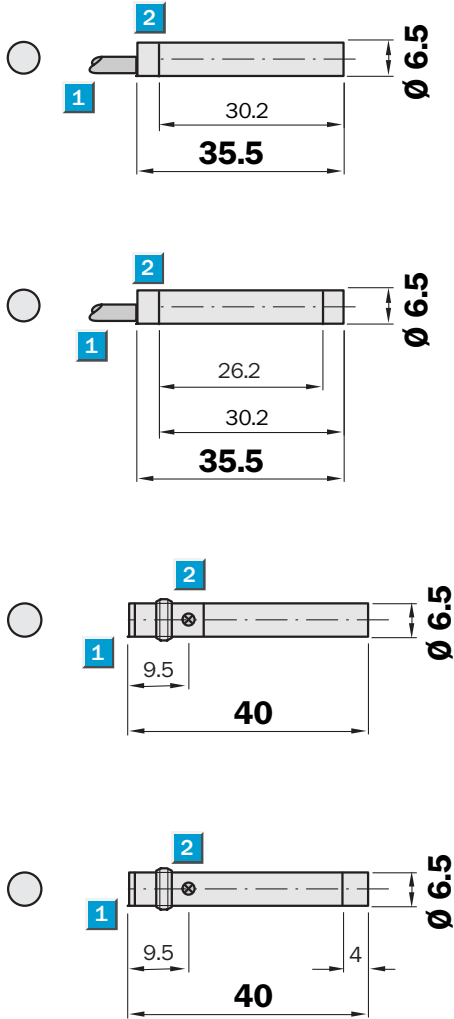
**Sensing range**  
2 / 4 mm

Inductive sensor

- Enhanced sensing range
- High switching frequency
- Short-circuit protection (pulsed)
- Solid stainless steel housing
- Enclosure rating IP 67



**Dimensional drawing**

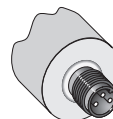
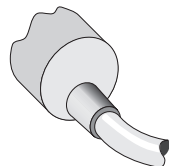


- 1 Connection
- 2 Display LED



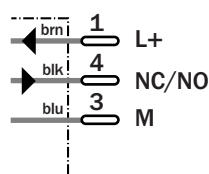
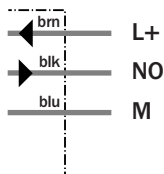
**Connection type**

IH06-02BPS-VWK	IH06-02BNS-VTK
IH06-02BNS-VWK	IH06-02BPS-VTK
IH06-04NNS-VWK	IH06-02BPO-VTK
IH06-04NPS-VWK	IH06-04NPS-VTK
	IH06-04NNS-VTK
	IH06-04NPO-VTK



3 x 0.14 mm<sup>2</sup>

M8, 3-pin



**See chapter Accessories**

Connector, M8, 3-pin

Mounting systems

Technical data		IH06-	02BPS -VWK	02BNS -VWK	02BNS -VTK	02BPS -VTK	02BPO -VTK	04NNS -VWK	04NPS -VWK	04NPS -VTK	04NNS -VTK	04NPO -VTK
<b>Sensing range <math>S_n</math></b>	4 mm											
	2 mm											
<b>Electrical configuration</b>	DC 3-wire											
<b>Supply voltage <math>V_s</math></b>	DC 10 ... 30 V											
Residual ripple $V_{pp}$	$\leq 10\%$ <sup>1)</sup>											
Voltage drop $V_d$	$\leq 1.2 V$ <sup>2)</sup>											
Power consumption	$\leq 10 mA$ <sup>3)</sup>											
<b>Continuous current <math>I_a</math></b>	$\leq 200 mA$											
Time delay before availability $t_v$	$\leq 100 ms$											
Hysteresis H, of $s_r$	1 ... 20 %											
Repeatability R	$\leq 5\%$ ( $U_b$ and $T_a$ constant) <sup>4)</sup>											
Temperature drift, of $s_r$	$\pm 10\%$											
EMC	According to EN 60947-5-2											
<b>Switching output</b>	PNP											
	NPN											
<b>Output function</b>	Normally closed											
	Normally open											
<b>Installation</b>	Non-flush											
	Flush <sup>5)</sup>											
<b>Connection type</b>	Connector, M8, 3-pin											
	Cable, PVC, 2 m											
Enclosure rating	IP 67 <sup>6)</sup>											
Max. switching frequency	2,500 Hz											
	3,000 Hz											
Sleeve diameter	6.5 mm											
<b>Short circuit protection</b>	✓ <sup>7)</sup>											
<b>Reverse polarity protection</b>	✓											
<b>Power-up pulse suppression</b>	✓											
Shock/vibration stress	30 g, 11 ms/10 ... 55 Hz, 1 mm											
Ambient operating temperature $T_a$	-25 °C ... +70 °C											
Housing material	Stainless steel, plastic											

<sup>1)</sup> of  $U_b$   
<sup>2)</sup> at  $I_a$  max

<sup>3)</sup> without load  
<sup>4)</sup> of  $s_r$

<sup>5)</sup> see installation notes  
<sup>6)</sup> according to EN 60529

<sup>7)</sup> (pulsed)

#### Order information

Type	Order no.
IH06-02BPS-VWK	6 025 874
IH06-02BNS-VWK	6 025 875
IH06-02BNS-VTK	6 025 878
IH06-02BPS-VTK	6 025 877
IH06-02BPO-VTK	6 025 879
IH06-04NNS-VWK	6 025 881
IH06-04NPS-VWK	6 025 880
IH06-04NPS-VTK	6 025 882
IH06-04NNS-VTK	6 025 883
IH06-04NPO-VTK	6 025 884