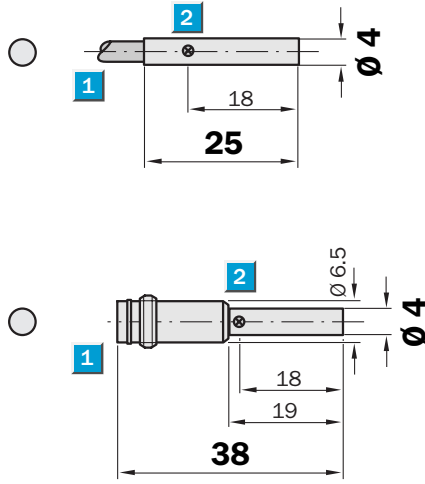


Sensing range
0.8 mm

Inductive sensor

- Can be installed flush
- High switching frequency
- Short-circuit protection (pulsed)
- Solid stainless steel housing
- Enclosure rating IP 67

Dimensional drawing



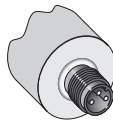
- 1 Connection
- 2 Display LED



Connection type

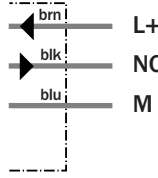
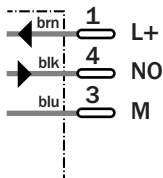
IH04-0B8NS-VT1
IH04-0B8PS-VT1

IH04-0B8NS-VW1
IH04-0B8PS-VW1



M8, 3-pin

3 x 0.14 mm²



See chapter Accessories
Connector, M8, 3-pin

Technical data		IH04-	OB8NS-VW1	OB8PS-VW1	OB8NS-VT1	OB8PS-VT1						
Sensing range S_n	0.8 mm											
Electrical configuration	DC 3-wire											
Supply voltage V_s	DC 10 ... 30 V											
Ripple V_{pp}	$\leq 20\%$ ¹⁾											
Voltage drop V_d	$\leq 2\text{ V}$ ²⁾											
Current consumption	10 mA ³⁾											
Continuous current I_a	$\leq 200\text{ mA}$											
Time delay before availability t_v	$\leq 10\text{ ms}$											
Hysteresis H (of s_r)	10 %											
Repeatability R	$\leq 1.5\%$ (U_b and T_a constant)											
Temperature drift, of s_r	$\pm 10\%$											
EMC	According to EN 60 947-5-2											
Switching output	PNP											
	NPN											
Output function	Normally open ⁴⁾											
Installation	Flush											
Connection types	Plug, M8, 3-pin											
	Cable, PVC, 2 m											
Enclosure rating	IP 67 ⁵⁾											
Max. switching frequency	5,000 Hz											
Barrel diameter	4 mm											
Short-circuit protection	✓ ⁶⁾											
Reverse polarity protection	✓											
Power-up pulse suppression	✓											
Shock / vibration stress	30 g, 11 ms / 10 ... 55 Hz, 1 mm											
Ambient temperature T_a	-25 °C ... +70 °C											
Housing material	Stainless steel, plastic											

¹⁾ of U_b
²⁾ at $I_a = 200\text{mA}$

³⁾ without load
⁴⁾ normally closed function available on

request
⁵⁾ according to EN 60 529

⁶⁾ (pulsed)

Order information

Type	Order no.
IH04-OB8NS-VW1	6 020 149
IH04-OB8PS-VW1	6 020 113
IH04-OB8NS-VT1	6 020 152
IH04-OB8PS-VT1	6 020 114